

TP STRONG

Linear LED luminaire



up to
135 $\frac{\text{lm}}{\text{W}}$



$[\text{V}]$ 220-240 AC	$[\text{Hz}]$ 50	≥ 30000	$[\text{h}]$ 50000	ellipse $\leq 6^\circ$ MacAdam	Ra 80	SMD
		IP 65		$[\text{°C}]$ -20÷40		IK 08
	$[\text{mm}^2]$ 1.5÷2.5	\varnothing ---m 0,5m	CE	EAC	PZH	UK CA



TP STRONG LED 48W-NW



	$[\text{W}]$	$[\text{lm}]$	T_c [K]	$[\text{°}]$		
TP STRONG LED 48W-NW	33170	48	6500	4000	X125/Y110	white
TP STRONG LED 75W-NW	33171	75	10000	4000	X125/Y110	white
TP STRONG LED 90W-NW	33172	90	12000	4000	X125/Y110	white

Kanlux TP STRONG is a hermetic luminaire for special purposes. The tightness of IP65, mechanical resistance of IK08, and luminous efficacy of 135lm/W are the main advantages of this luminaire. Additionally, it has a light distribution angle of X125°/Y110°. The parameters speak for themselves, but we also give a 5-year warranty.

- 5 years Warranty under the terms of the warranty statement, available on our website
- Enclosure material: plastic
- Lampshade material: PC

TP STRONG

Linear LED luminaire



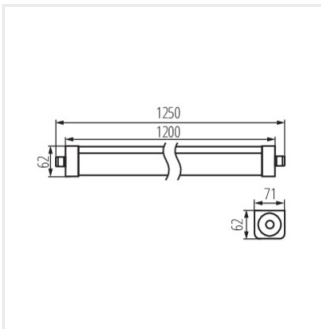
TP STRONG LED 48W-NW



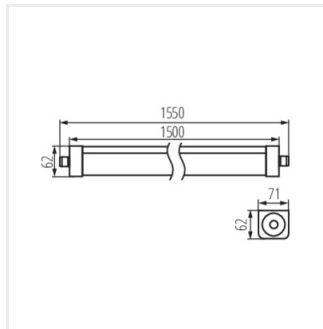
TP STRONG LED 75W-NW



TP STRONG LED 90W-NW



TP STRONG LED 48W



TP STRONG LED 75W; 90W