

BLINGO IPRN38W 6060NW

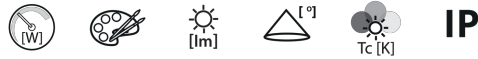
Recessed-mounted LED panel



[V] 220-240 AC	[Hz] 50	[h] 50000	ellipse ≤ 6x MacAdam	Ra 80	SMD	
		5÷25			0,5m	CE
EAC	UK CA					



BLINGO IPRN38W 6060NW



BLINGO IPRN38W 6060NW **33174** 38 white 3800 120 4000 44/20

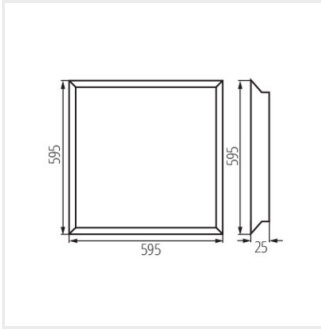
- Enclosure material: iron
- Lampshade material: PS
- Panel/frame material: iron



BLINGO IPRN38W 6060NW

BLINGO IPRN38W 6060NW

Recessed-mounted LED panel



BLINGO IPRN38W 6060NW