

T8 LED GLASSv4

LED light source



up to
160 lm/W



[V] 220-240 AC	[Hz] 50	T8 LED	SMD	360° Φuse	Ellipse ≤ 6x MacAdam	Ra 80
≥30000	30000 [h]	Hg			ONE SIDE INPUT	°C -10÷40
CE	EAC	UK CA				



T8 LED GLASSv4 9W-NW



	P0N [W]	[lm] Φuse	Tc [K]	Beam angle [°]	G13	Eii AIG
T8 LED GLASSv4 9W-NW	33210	9	1440	4000	220	G13 C
T8 LED GLASSv4 9W-CW	33211	9	1440	6500	220	G13 C
T8 LED GLASSv4 18W-NW	33212	18	2880	4000	220	G13 C
T8 LED GLASSv4 18W-CW	33213	18	2880	6500	220	G13 C
T8 LED GLASSv4 24W-NW	33214	24	3840	4000	220	G13 C
T8 LED GLASSv4 24W-CW	33215	24	3840	6500	220	G13 C
T8 LED GLASSv4 22W-CW	33219	22	3520	6500	220	G13 C

Kanlux T8 LED GLASS is a well-known and proven line of fluorescent lamps based on high-performance LED diodes, which are placed in a milky, glass body, thanks to which they evenly emit light. High-quality workmanship and care for the best-class components are the most important features of Kanlux T8 LED GLASSv4. In addition, these unique LED lamps have a 3-year warranty and a luminous efficacy of up to 160 lumens from Watt.

- One-way fluorescent LED-power supply
- 3 years Warranty under the terms of the warranty statement, available on our website
- Lampshade material: glass

Date of issue: 15.02.2024, 09:50

We reserve the right to make technical changes. The data contained in this material are not legally binding.

T8 LED GLASSv4

LED light source



T8 LED GLASSv4 9W-NW



T8 LED GLASSv4 9W-CW



T8 LED GLASSv4 18W-NW



T8 LED GLASSv4 18W-CW



T8 LED GLASSv4 24W-NW



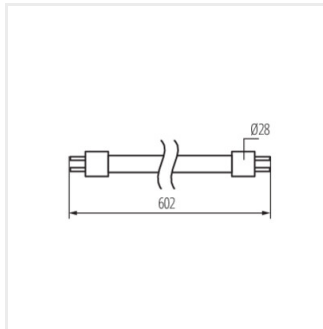
T8 LED GLASSv4 24W-CW



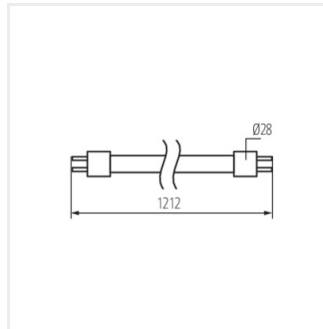
T8 LED GLASSv4 22W-CW

T8 LED GLASSv4

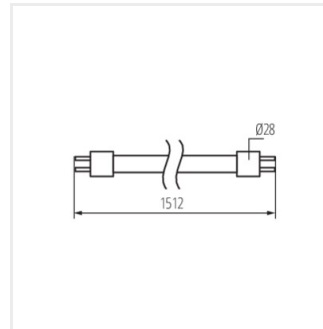
LED light source



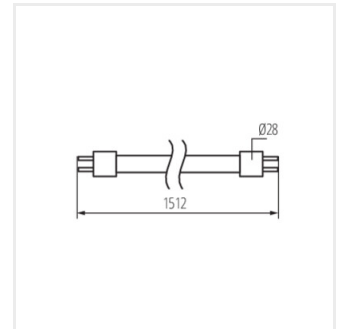
T8 LED GLASSv4 9W



T8 LED GLASSv4 18W



T8 LED GLASSv4 24W



T8 LED GLASSv4 22W

Accessories

26069

T8 LED STARTER Replacement LED light switch
(26069)

