

## TEAR N

Accessory for electrical supply track systems



$[V]$ 220-240 AC	$[Hz]$ 50	$In[A]$ 16		<b>IP</b> 20		 5+25
	<b>CE</b>	<b>EAC</b>	<b>PZH</b>	<b>UK</b> <b>CA</b>		



TEAR N TR 1M-W

## TEAR N

---

Accessory for electrical supply track systems

TEAR N TR 1M-W	<b>33230</b>
TEAR N TR 1M-B	<b>33231</b>
TEAR N TR 2M-W	<b>33232</b>
TEAR N TR 2M-B	<b>33233</b>
TEAR N PCON R-W	<b>33234</b>
TEAR N PCON R-B	<b>33235</b>
TEAR N EPLUG W	<b>33236</b>
TEAR N EPLUG B	<b>33237</b>
TEAR N ICON-I W	<b>33238</b>
TEAR N ICON-I B	<b>33239</b>
TEAR N CON-I W	<b>33240</b>
TEAR N CON-I B	<b>33241</b>
TEAR N CON-L RL-W	<b>33242</b>
TEAR N CON-L RL-B	<b>33243</b>
TEAR N CON-L LR-W	<b>33244</b>
TEAR N CON-L LR-B	<b>33245</b>
TEAR N CON-X W	<b>33246</b>
TEAR N CON-X B	<b>33247</b>
TEAR N CON-T RRL-W	<b>33248</b>
TEAR N CON-T RRL-B	<b>33249</b>
TEAR N CON-T RLL-W	<b>33250</b>
TEAR N CON-T RLL-B	<b>33251</b>
TEAR N CON-I FLEX W	<b>33252</b>
TEAR N CON-I FLEX B	<b>33253</b>
TEAR N SCLAMP W	<b>33254</b>
TEAR N SCLAMP B	<b>33255</b>
TEAR N SKIT W	<b>33256</b>
TEAR N SKIT B	<b>33257</b>
TEAR N PCON L-W	<b>33260</b>
TEAR N PCON L-B	<b>33261</b>
TEAR N CON-T LRR-W	<b>33262</b>
TEAR N CON-T LRR-B	<b>33263</b>
TEAR N CON-T LLR-W	<b>33264</b>
TEAR N CON-T LLR-B	<b>33265</b>

## TEAR N

Accessory for electrical supply track systems



TEAR N TR 1M-W



TEAR N TR 1M-B



TEAR N TR 2M-W



TEAR N TR 2M-B



TEAR N PCON R-W



TEAR N PCON R-B



TEAR N EPLUG W



TEAR N EPLUG B



TEAR N ICON-I W



TEAR N ICON-I B



TEAR N CON-I W



TEAR N CON-I B



TEAR N CON-L RL-W



TEAR N CON-L RL-B



TEAR N CON-L LR-W



TEAR N CON-L LR-B

## TEAR N

Accessory for electrical supply track systems



TEAR N CON-X W



TEAR N CON-X B



TEAR N CON-T RRL-W



TEAR N CON-T RRL-B



TEAR N CON-T RLL-W



TEAR N CON-T RLL-B



TEAR N CON-I FLEX W



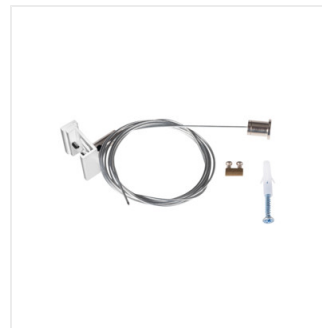
TEAR N CON-I FLEX B



TEAR N SCLAMP W



TEAR N SCLAMP B



TEAR N SKIT W



TEAR N SKIT B



TEAR N PCON L-W



TEAR N PCON L-B



TEAR N CON-T LRR-W



TEAR N CON-T LRR-B

## TEAR N

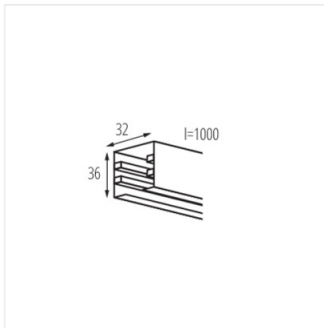
Accessory for electrical supply track systems



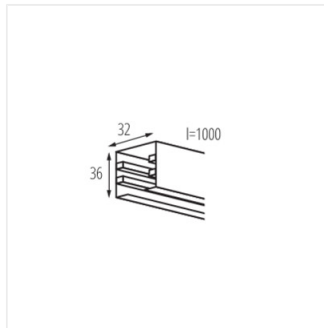
TEAR N CON-T LLR-W



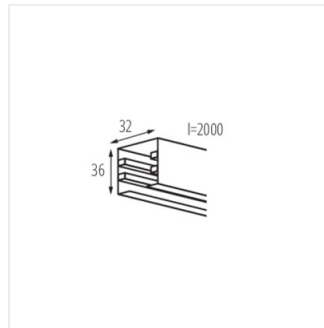
TEAR N CON-T LLR-B



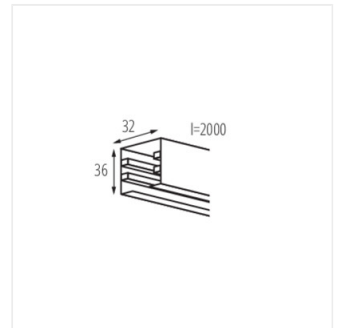
TEAR N TR 1M-W



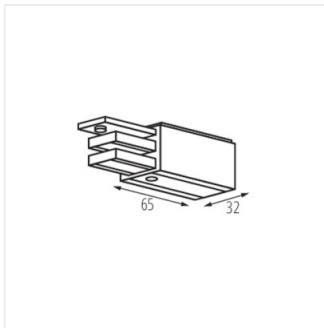
TEAR N TR 1M-B



TEAR N TR 2M-W



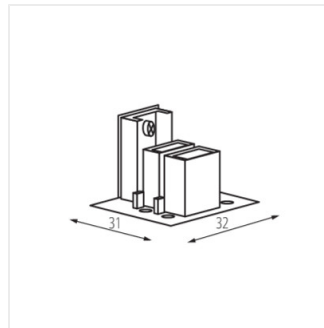
TEAR N TR 2M-B



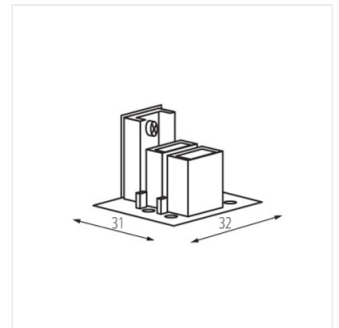
TEAR N PCON R-W



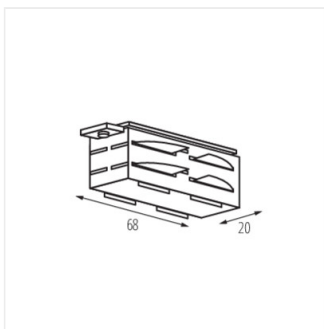
TEAR N PCON R-B



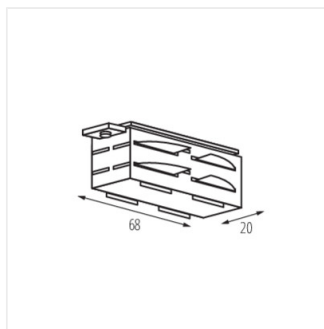
TEAR N EPLUG W



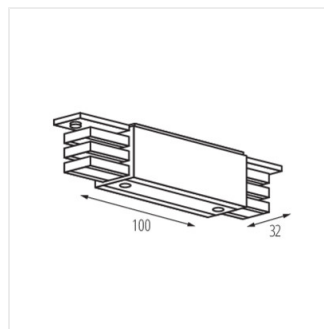
TEAR N EPLUG B



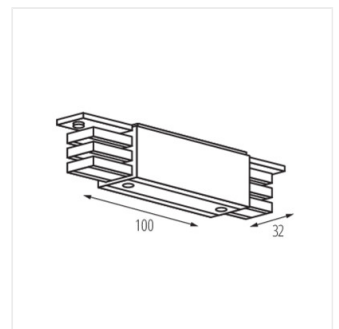
TEAR N ICON-I W



TEAR N ICON-I B



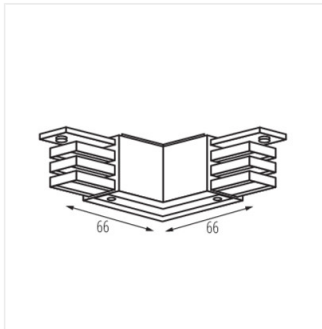
TEAR N CON-I W



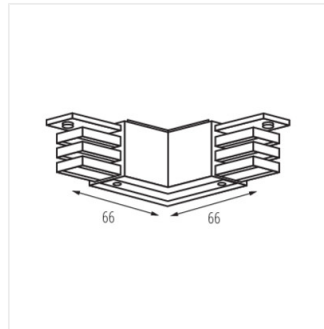
TEAR N CON-I B

## TEAR N

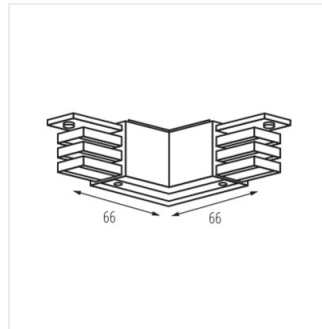
Accessory for electrical supply track systems



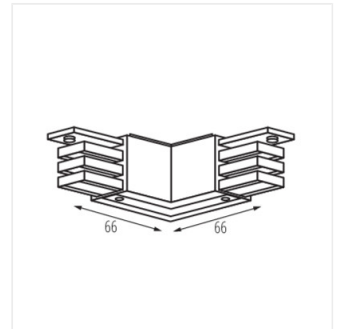
TEAR N CON-L RL-W



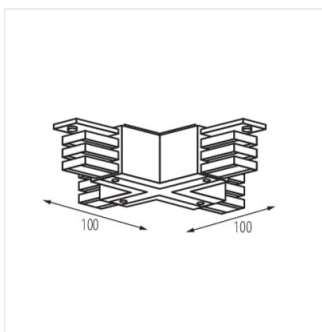
TEAR N CON-L RL-B



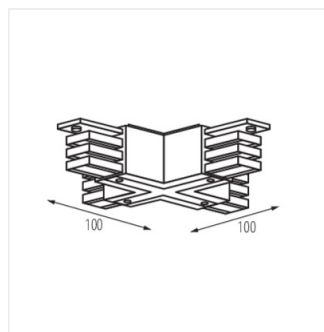
TEAR N CON-L LR-W



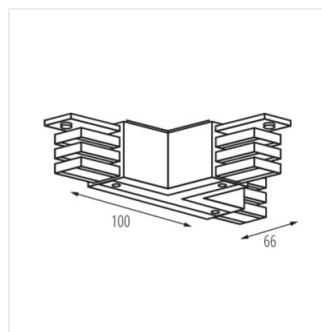
TEAR N CON-L LR-B



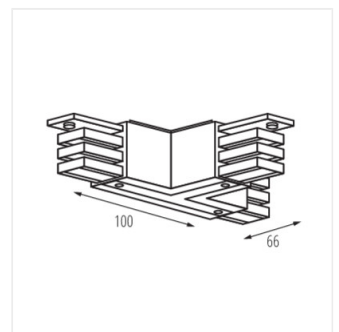
TEAR N CON-X W



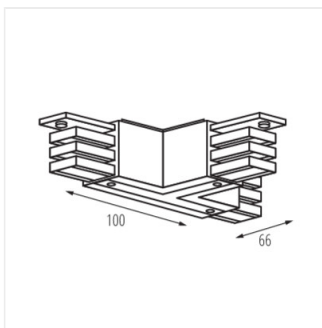
TEAR N CON-X B



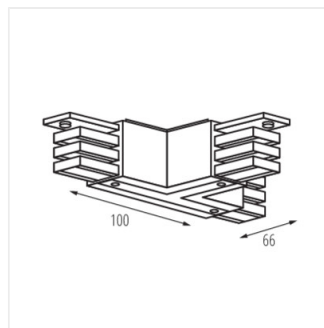
TEAR N CON-T RRL-W



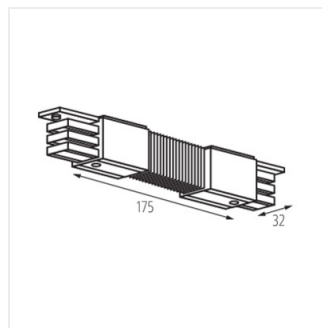
TEAR N CON-T RRL-B



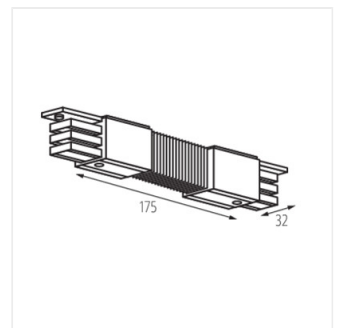
TEAR N CON-T RLL-W



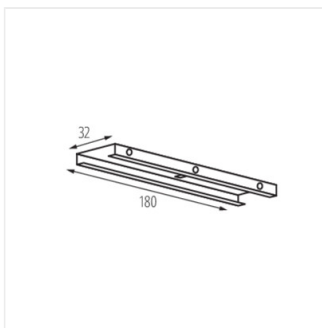
TEAR N CON-T RLL-B



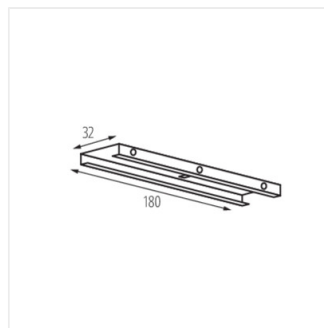
TEAR N CON-I FLEX W



TEAR N CON-I FLEX B



TEAR N SCLAMP W



TEAR N SCLAMP B



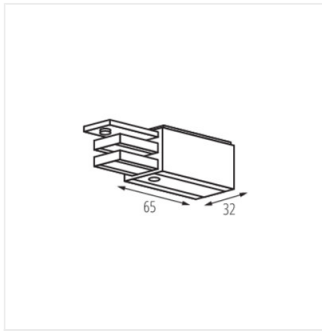
TEAR N SKIT W



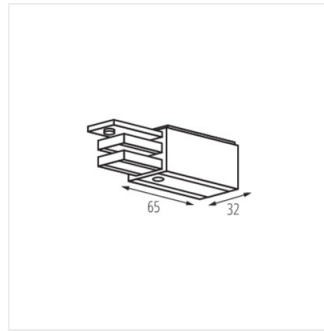
TEAR N SKIT B

## TEAR N

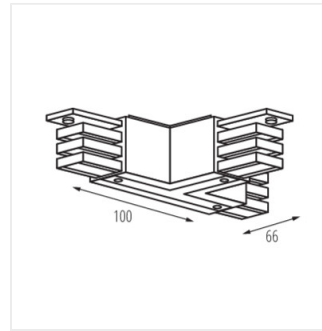
### Accessory for electrical supply track systems



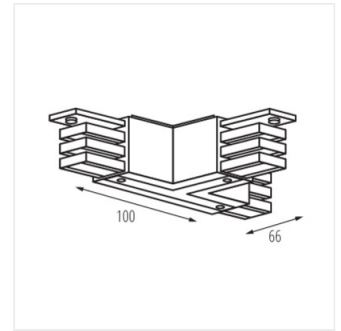
TEAR N PCON L-W



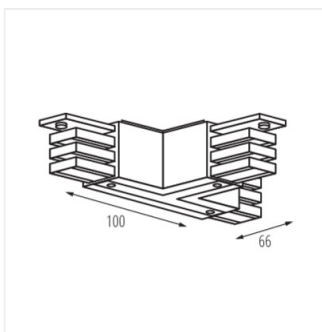
TEAR N PCON L-B



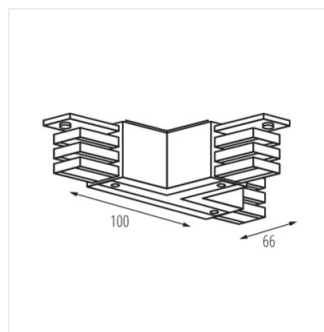
TEAR N CON-T LRR-W



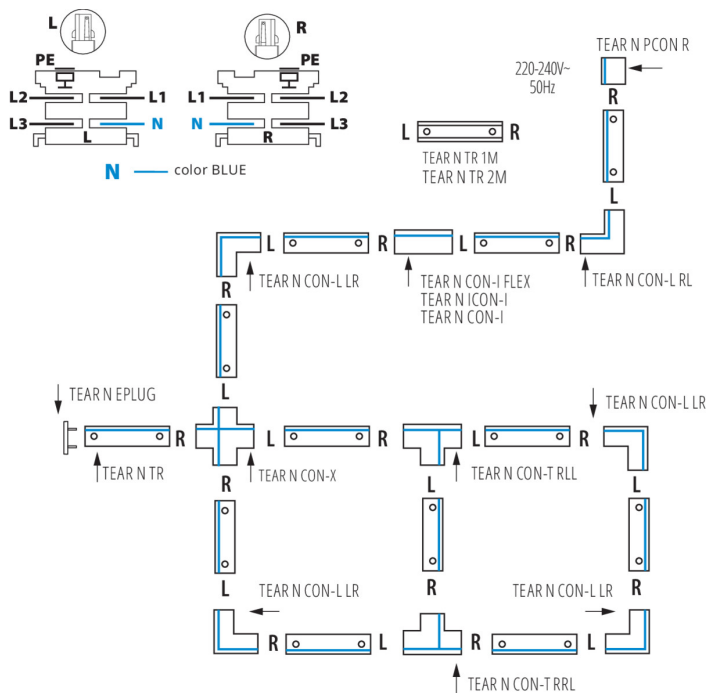
TEAR N CON-T LRR-B



TEAR N CON-T LLR-W



TEAR N CON-T LLR-B



### ACCESSORIES:

**33230** TEAR N TR 1M-W



Track system component, TEAR N TR 1M-W, 3-circuit track, white, (33230)

**33231** TEAR N TR 1M-B



Track system component, TEAR N TR 1M-B, 3-circuit track, black, (33231)

**33232** TEAR N TR 2M-W



Track system component, TEAR N TR 2M-W, 3-circuit track, white, (33232)

## TEAR N

Accessory for electrical supply track systems

**33233** TEAR N TR 2M-B



Track system component, TEAR N TR 2M-B, 3-circuit track, black, (33233)

**33234** TEAR N PCON R-W



Track system component, TEAR N PCON R-W, power connector with plug R, white, (33234)

**33235** TEAR N PCON R-B



Track system component, TEAR N PCON R-B, power connector with plug R, black, (33235)

**33260** TEAR N PCON L-W



Track system component, TEAR N PCON L-W, power connector with plug L, white, (33260)

**33261** TEAR N PCON L-B



Track system component, TEAR N PCON L-B, power connector with plug L, black, (33261)

**33236** TEAR N EPLUG W



Track system component, TEAR N EPLUG W, end plug, white, (33236)



## TEAR N

---

### Accessory for electrical supply track systems

**33237** TEAR N EPLUG B Track system component, TEAR N EPLUG B, end cap, black, (33237)



**33238** TEAR N ICON-I W Track system component, TEAR N ICON-I W, straight connector type "I" internal with plugs L, R, white, (33238)



**33239** TEAR N ICON-I B Track system component, TEAR N ICON-I B, straight connector type "I" internal with plugs L, R, black, (33239)



**33240** TEAR N CON-I W Track system component, TEAR N CON-I W, straight connector type "I" with plugs L, R, white, (33240)



**33241** TEAR N CON-I B Track system component, TEAR N CON-I B, straight connector type "I" with plugs L, R, black, (33241)



**33252** TEAR N CON-I FLEX W Track system component, TEAR N CON-I FLEX W, flexible connector with plugs L, R, white, (33252)



## TEAR N

### Accessory for electrical supply track systems

- 33253** TEAR N CON-I FLEX B Track system component, TEAR N CON-I FLEX B, flexible connector with plugs L, R, black, (33253)



- 33242** TEAR N CON-L RL-W Track system component, TEAR N CON-L RL-W, corner connector type "L" with plugs R, L, white, (33242)



- 33243** TEAR N CON-L RL-B Track system component, TEAR N CON-L RL-B, corner connector type "L" with plugs R, L, black, (33243)



- 33244** TEAR N CON-L LR-W Track system component, TEAR N CON-L LR-W, corner connector type "L" with plugs L, R, white, (33244)



- 33245** TEAR N CON-L LR-B Track system component, TEAR N CON-L LR-B, corner connector type "L" with plugs L, R, black, (33245)



- 33246** TEAR N CON-X W Track system component, TEAR N CON-X W, cross connector with plugs L, L, R, R, white, (33246)



## TEAR N

### Accessory for electrical supply track systems

**33247** TEAR N CON-X B



Track system component, TEAR N CON-X B, cross connector with plugs L, L, R, R, black, (33247)

**33248** TEAR N CON-T RRL-W



Track system component, TEAR N CON-T RRL-W, connector type "T" with plugs R, R, L, white, (33248)

**33249** TEAR N CON-T RRL-B



Track system component, TEAR N CON-T RRL-B, connector type "T" with plugs R, R, L, black, (33249)

**33250** TEAR N CON-T RLL-W



Track system component, TEAR N CON-T RLL-W, connector type "T" with plugs R, L, L, white, (33250)

**33251** TEAR N CON-T RLL-B



Track system component, TEAR N CON-T RLL-B, connector type "T" with plugs R, L, L, black, (33251)

**33262** TEAR N CON-T LRR-W



Track system component, TEAR N CON-T LRR-W, connector type "T" with plugs L, R, R, white, (33262)

## TEAR N

### Accessory for electrical supply track systems

<b>33263</b>	TEAR N CON-T LRR-B	Track system component, TEAR N CON-T LRR-B, connector type "T" with plugs L, R, R, black, (33263)
		
<b>33264</b>	TEAR N CON-T LLR-W	Track system component, TEAR N CON-T LLR-W, connector type "T" with plugs L, L, R, white, (33264)
		
<b>33265</b>	TEAR N CON-T LLR-B	Track system component, TEAR N CON-T LLR-B, connector type "T" with plugs L, L, R, black, (33265)
		
<b>33256</b>	TEAR N SKIT W	Track system component, TEAR N SKIT W, suspension with self-regulation and cord 2m, white, (33256)
		
<b>33257</b>	TEAR N SKIT B	Track system component, TEAR N SKIT B, suspension with self-regulation and cord 2m, black, (33257)
		
<b>33254</b>	TEAR N SCLAMP W	Track system component, TEAR N SCLAMP W, mounting/stiffening suspension clamp, white, (33254)
		

## TEAR N

---

Accessory for electrical supply track systems

**33255** TEAR N SCLAMP B

Track system component,  
TEAR N SCLAMP B,  
mounting/stiffening  
suspension clamp, black,  
(33255)

