

Kanlux



Kanlux AQILO IP65

KANLUX AQILO is the first Kanlux surface-mounted luminaire with such a high IP degree - IP65. It is characterized by a simple design and availability in three colors: white, black and graphite. High tightness is intended for rooms where the lamps are exposed to increased humidity and the risk of flooding with water, e.g. bathroom and kitchen, and for use in external areas of the house, such as terraces, balconies or covered entrances. You can choose the light sources that suit you. An additional advantage of AQILO E14 and AQILO E27 lamps is the reflector.

IP
65



 220-240 AC	 50		IP 65		 -20÷35	
	 0.75÷1.5	 0,5m		CE	EAC	UK CA



AQILO IP65 DSO-W



AQILO IP65 DSO-W	33360	max 7	white
AQILO IP65 DSO-B	33361	max 7	black
AQILO IP65 DSO-GR	33362	max 7	graphite
AQILO E14 IP65 DSO-GR	36640	max 10	graphite
AQILO E14 IP65 DSO-W	36641	max 10	white
AQILO E14 IP65 DSO-B	36642	max 10	black
AQILO E27 IP65 DSO-GR	36643	max 20	graphite
AQILO E27 IP65 DSO-W	36644	max 20	white
AQILO E27 IP65 DSO-B	36645	max 20	black
AQILO IP65 DSO-BE	36646	max 7	beige



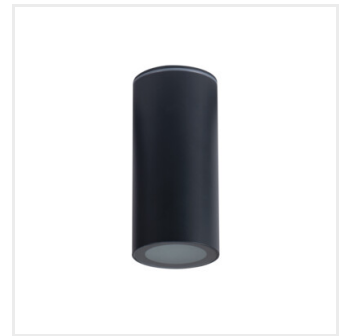
AQILO IP65 DSO-W



AQILO IP65 DSO-B



AQILO IP65 DSO-GR



AQILO E14 IP65 DSO-GR



AQILO E14 IP65 DSO-W



AQILO E14 IP65 DSO-B



AQILO E27 IP65 DSO-GR



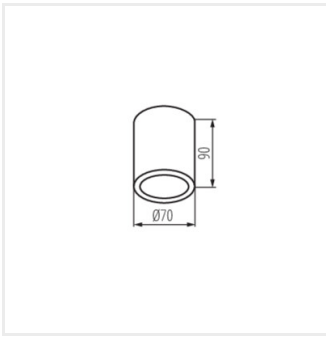
AQILO E27 IP65 DSO-W



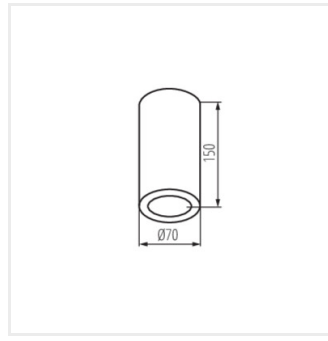
AQILO E27 IP65 DSO-B



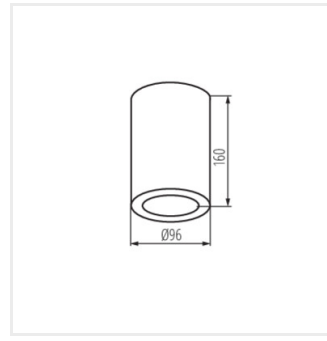
AQILO IP65 DSO-BE



AQILO IP65 DSO



AQILO E14 IP65 DSO



AQILO E27 IP65 DSO

Date of issue: 09.04.2026, 08:25

We reserve the right to make technical changes. The data contained in this material are not legally binding.

Photometry: the results obtained from testing were from a specific sample.

Kanlux S.A. ul. Objazdowa 1-3, 41-922 Radzionków, Poland kanlux@kanlux.com