

LC

CV power supply unit

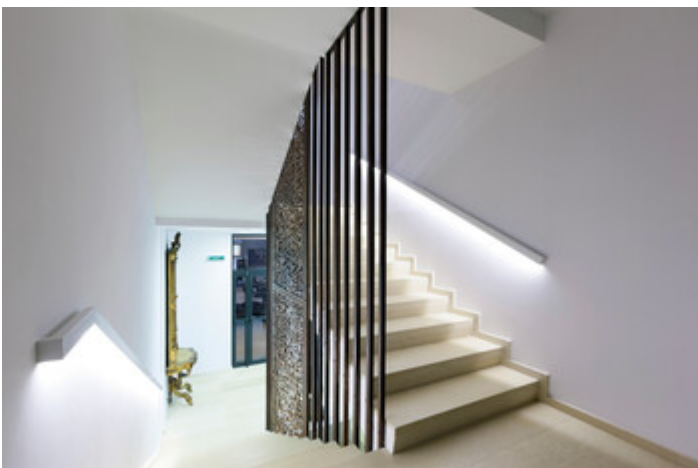


[V] 220-240 AC	[Hz] 50	CV 	PRI [V] 220-240	 0.5-1.5	CE	EAC
UK CA						

LC 60W 24V SC SNC2

	SEC [V]		IP
LC 60W 24V SC SNC2	33419	24 DC	60 20
LC 100W 24V IP67 UNV	33423	24 DC	100 67
LC 200W 24V IP67 UNV	33424	24 DC	200 67
LC 100W 24V SC SNC2	33426	24 DC	100 20

- The power supply unit is not designed to work without load.



LC

CV power supply unit



LC 60W 24V SC SNC2



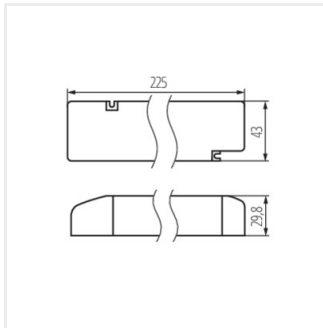
LC 100W 24V IP67 UNV



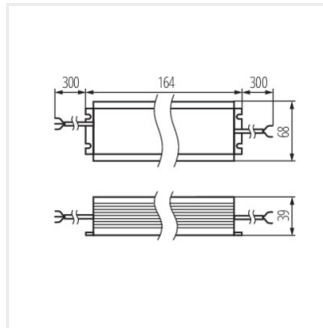
LC 200W 24V IP67 UNV



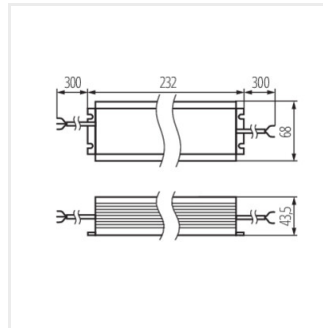
LC 100W 24V SC SNC2



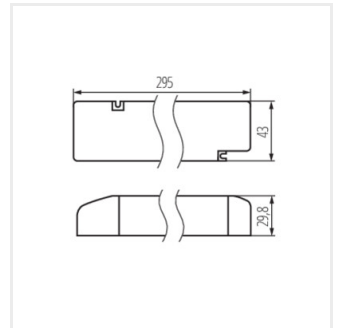
LC 60W 24V SC SNC2



LC 100W 24V IP67 UNV



LC 200W 24V IP67 UNV



LC 100W 24V SC SNC2