

FL AGOR LED

LED floodlight



[V] 220-240 AC	[Hz] 50	≥25000	[h] 50000	ellipse ≤ 6x Mackdam	Ra 80	SMD
		IP 65	house ↕	°C -40+35		180
IK 05		[mm²] 1	1m	Hg	CE	EAC
UK CA						



FL AGOR LED 100W NW



Model	Part No.	Power [W]	Beam Angle [°]	Beam Diameter [mm]	Beam Length [mm]	Temp. [K]	Beam Diameter [mm]	Color	Efficiency [lm/W]
FL AGOR LED 100W NW	33470	100	14000	11900	4000	100	black	D	
FL AGOR LED 150W NW	33471	150	18000	15300	4000	100	black	E	
FL AGOR LED 200W NW	33472	200	24000	20300	4000	100	black	E	
FL AGOR/A LED 100W NW	33473	100	11000	9500	4000	X45/Y80	black	F	
FL AGOR/A LED 150W NW	33474	150	19500	13650	4000	X45/Y80	black	F	
FL AGOR/A LED 200W NW	33475	200	22000	17000	4000	X45/Y80	black	E	

Kanlux AGOR LED is a series of high-power floodlights. Their solid and durable construction ensures IP65 tightness. Kanlux AGOR floodlights are also symmetrical (AGOR) or asymmetrical light distribution (AGOR/A). You will successfully use them to illuminate sports or industrial areas, large advertising boards, warehouses and building facades. The durability and reliability of Kanlux AGOR floodlights is confirmed by a 5-year warranty.

- 5 years Warranty under the terms of the warranty statement, available on our website
- Enclosure material: aluminum alloy
- Protective glass material: Tempered glass

FL AGOR LED

LED floodlight



FL AGOR LED 100W NW



FL AGOR LED 150W NW



FL AGOR LED 200W NW



FL AGOR/A LED 100W NW



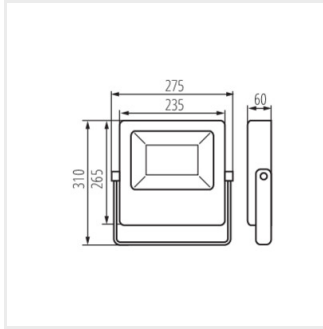
FL AGOR/A LED 150W NW



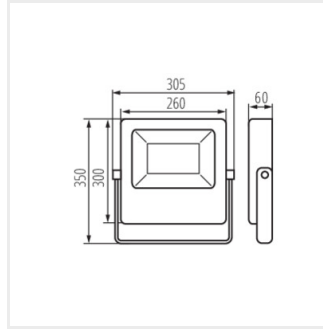
FL AGOR/A LED 200W NW

FL AGOR LED

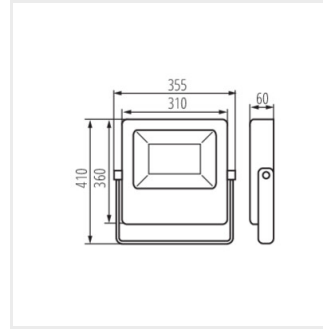
LED floodlight



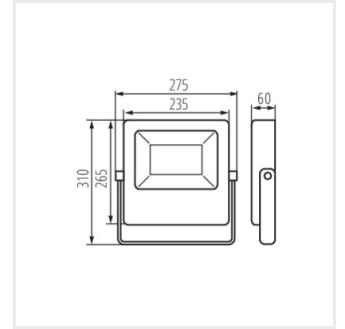
FL AGOR LED 100W NW



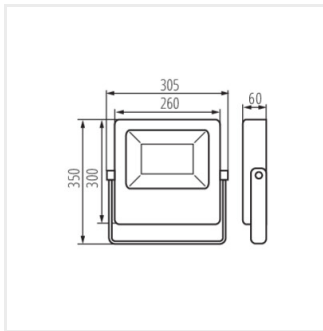
FL AGOR LED 150W NW



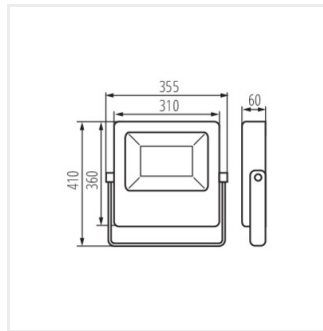
FL AGOR LED 200W NW



FL AGOR/A LED 100W NW



FL AGOR/A LED 150W NW



FL AGOR/A LED 200W NW