

XLED A60 MIRROR

LED light source



$[V]$ 220-240 AC	$[Hz]$ 50	FILAMENT	360° Φ_{use}	+ ellipse $\leq 6x$ MacAdam	Ra 80	≥ 15000
$[h]$ 15000	Hg		CE	EAC	UK CA	



XLED A60 M 7W-WW



	33514	7	52	680	2700	150	E27	F
XLED A60 M 7W-WW	33514	7	52	680	2700	150	E27	F
XLED A60 M 7W-NW	33515	7	52	680	4000	150	E27	F

Exceptional, decorative bulbs Kanlux XLED MIRROR provide decorative silver light. Part of the bubble is a mirror coating that will blend in perfectly as an addition to modern designs. The light in Kanlux XLED MIRROR is reflected upwards with a reflective layer, providing less direct light and creating a cosy atmosphere. It is perfect for lamps with an exposed bulb as an additional decoration or for lamps with a lampshade, where we can achieve the effect of subdued, romantic light.

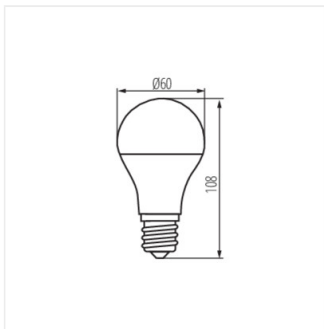
- Material: glass

XLED A60 MIRROR

LED light source



XLED A60 M 7W



XLED A60 M 7W