

Kanlux SMART

LED light source



S A60 7W E27 CCT



	Pon [W]	Light bulb	[lm] Φuse	Tc [K]	Beam angle	Screw base	Ei A n G
S A60 7W E27 CCT	33640	7	60	806	2700-6500	320	E27 E
S A60 9W E27 RGB CCT	33641	9	60	806	2700-6500	180	E27 F
S A60 11.5W E27 RGB CCT	33642	11.5	75	1055	2700-6500	180	E27 F
S GU10 4.7W RGB CCT	33643	4.7	39	325	2700-6500	110	GU10 G
S C37 4.9W E14 RGB CCT	33644	4.9	40	470	2700-6500	180	E14 F

A modern home is a smart and functional home. The bulbs from the Kanlux SMART series are designed in such a way as to enable the transformation of every home into a modern one. You can control them through a mobile app, via Wi-Fi or Bluetooth. Kanlux SMART bulbs have the following functions: dimming, smooth change of light colour (CCT) and colour (RGB), which you can choose from a palette of 16 million colours. With features such as schedules, biorhythm and grouping with other SMART devices, you can successfully adjust the light in your home to your lifestyle.

For even greater comfort of use, you can control Kanlux SMART bulbs by voice command (Google Assistant/Alexa). Learn more about Kanlux SMART on www.kanluxsmart.com

Kanlux SMART

LED light source



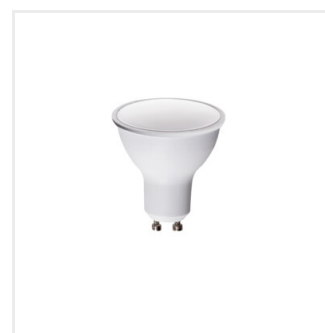
S A60 7W E27 CCT



S A60 9W E27 RGBCCT



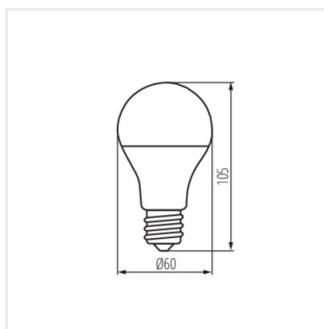
S A60 11,5WE27 RGBCCT



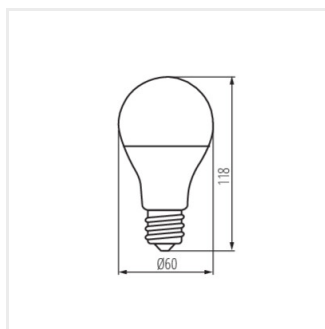
S GU10 4,7W RGBCCT



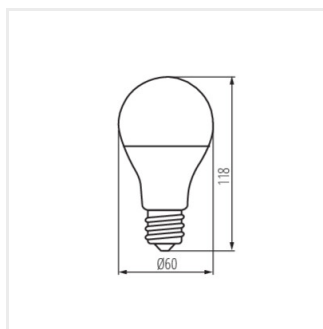
S C37 4,9W E14 RGBCCT



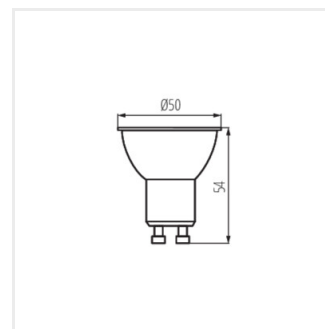
S A60 7W E27 CCT



S A60 9W E27 RGBCCT



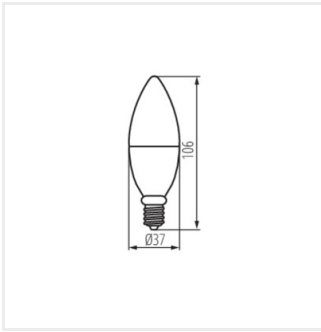
S A60 11,5WE27 RGBCCT



S GU10 4,7W RGBCCT

Kanlux SMART

LED light source



S C37 4,9W E14 RGBCCT