

REUL

Ring for spotlight fittings



DESIGN
GN
unique



REUL DTL W/W



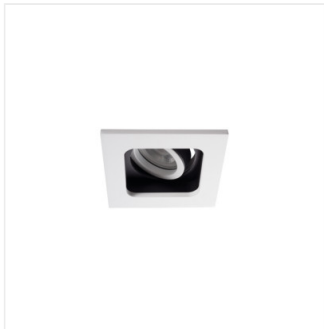
REUL DTL W/W	33660	max 10	white	in two axes	20/25
REUL DTL W/B	33661	max 10	white / black	in two axes	20/25
REUL 2xDTL W/W	33662	2 x max 10	white	in two axes	20/25
REUL 2xDTL W/B	33663	2 x max 10	white / black	in two axes	20/25

Kanlux REUL is a family of decorative rings with one or two points of light. They come in versatile white or contrasting black and white colours. The rings enable the adjustment of the light output in 2 directions. The geometric shape can easily fit into any interior, both home and HoReCa.

- Enclosure material: aluminum alloy

REUL

Ring for spotlight fittings



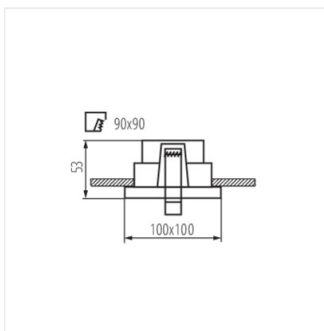
REUL DTL W/B



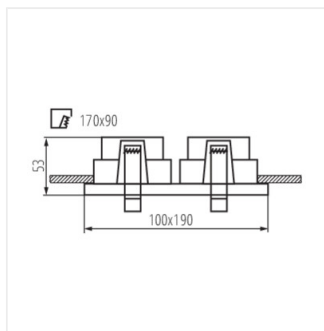
REUL 2xDTL W/W



REUL 2xDTL W/B



REUL DTL



REUL 2xDTL