

GALOBA W

Wall-mounted light fitting



| | | | | | | |
|----------------|--------|-----------|----------|-------|--------------|----------|
| 220-240 AC | 50 | PAR16 | GU10 | ⊕ | IP 20 | |
| 5÷25 | ↕ | 335 | 315 | | 0.75÷1.5 | 0,5m |
| | | | | | | |



GALOBA W 1xGU10 W



| | | | |
|-------------------|--------------|--------|-------|
| GALOBA W 1xGU10 W | 33672 | max 35 | white |
| GALOBA W 1xGU10 B | 33673 | max 35 | black |

Kanlux GALOBA is a complete series of luminaires, including pendant lamps (GALOBA C), wall lamps (GALOBA W) and wall and ceiling fixtures. Kanlux GALOBA C pendant lamps can be successfully used for the lighting of islands or tables, while wall and ceiling lamps (from 1 to 4 points of light) can be used in a living room, hall or bedroom. The arrangement can be completed with wall lamps, which have a switch in the base. All luminaires from the Kanlux GALOBA series have a detachable lampshade thanks to which the light sources can be quickly and comfortably replaced.

- Maximum light-source height 55 mm
- Enclosure material: aluminum alloy

GALOBA W

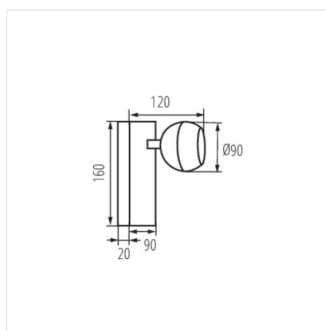
Wall-mounted light fitting



GALOBA W 1xGU10 W



GALOBA W 1xGU10 B



GALOBA W