

## GALOBA C

### Pendant lamp



[V] 220-240 AC	[Hz] 50	PAR16	GU10		<b>IP</b> 20	
[°C] 5÷25			[mm] 0.75÷1.5	0,5m	<b>CE</b>	<b>EAC</b>
<b>UK CA</b>						

GALOBA C 1xGU10 B



GALOBA C 1xGU10 W	<b>33682</b>	max 35	white
GALOBA C 1xGU10 B	<b>33683</b>	max 35	black
GALOBA C 3xGU10 W	<b>33684</b>	3 x max 35	white
GALOBA C 3xGU10 B	<b>33685</b>	3 x max 35	black

Kanlux GALOBA is a complete series of luminaires, including pendant lamps (GALOBA C), wall lamps (GALOBA W) and wall and ceiling fixtures. Kanlux GALOBA C pendant lamps can be successfully used for the lighting of islands or tables, while wall and ceiling lamps (from 1 to 4 points of light) can be used in a living room, hall or bedroom. The arrangement can be completed with wall lamps, which have a switch in the base. All luminaires from the Kanlux GALOBA series have a detachable lampshade thanks to which the light sources can be quickly and comfortably replaced.

- Maximum light-source height 55mm
- Enclosure material: aluminum alloy

## GALOBA C

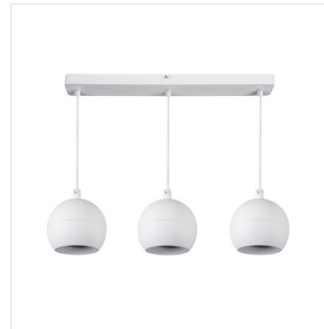
Pendant lamp



GALOBA C 1xGU10 W



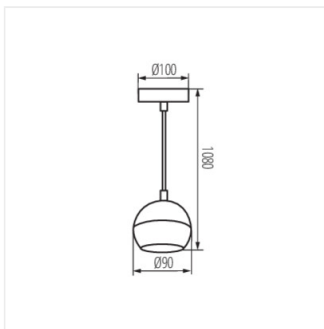
GALOBA C 1xGU10 B



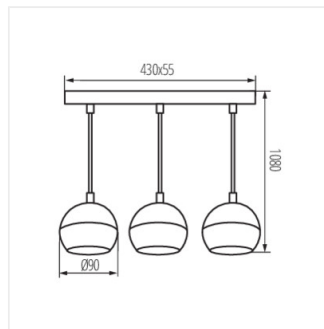
GALOBA C 1xGU10 W



GALOBA C 3xGU10 B



GALOBA C 1xGU10



GALOBA C 3xGU10