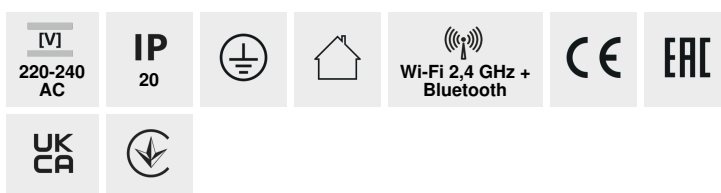


KANLUX SMART

Socket adaptor



In [A]

S AD GN SCH 10A PM	33701	10
S AD GN 16A PM	33703	16

Thanks to the socket adaptor, you can control (on/off function) devices without SMART functions (e.g.: an iron). We can also set a sequence of actions of our choice. The basic function is on/off, but the adaptor also has a built-in clock (weekly clock with a calendar), random functions and a timer/countdown function. This allows you to program different devices to turn on and off at specific times, even when you are not at home. In addition, the adaptor has a function to measure the energy consumption (of the device connected to it). Learn more about Kanlux SMART at www.kanluxsmart.com.



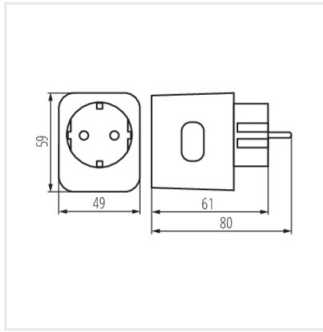
S AD GN SCH 10A PM



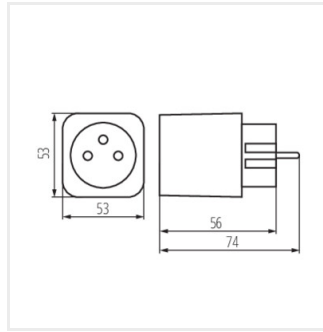
S AD GN 16A PM

KANLUX SMART

Socket adaptor



S AD GN SCH 10A PM



S AD GN 16A PM