

iQ-LED

Kanlux

IQ-LED C37

LED light source



[V] 220-240 AC	[Hz] 50	SMD	360° Φ _{use}	ellipse ≤ 6x MacAdam	Ra 80	≥40000
25000 [h]	Hg		CE	EAC	UK CA	



IQ-LED C37E14 4,2W-WW



Model	Part No.	PON [W]	Power [W]	Beam Angle [°]	Beam Diameter [mm]	Temp. [K]	Beam Diameter [mm]	Base	Class
IQ-LED C37E14 4.2W-WW	33728	4.2	40	470	2700	300	E14	E	
IQ-LED C37E14 4.2W-NW	33729	4.2	40	470	4000	300	E14	E	
IQ-LED C37E14 7.2W-WW	33731	7.2	60	806	2700	280	E14	E	
IQ-LED C37E14 7.2W-NW	33732	7.2	62	840	4000	280	E14	E	
IQ-LED C37E14 7.2W-CW	33733	7.2	62	840	6500	280	E14	E	

The Kanlux iQ-LED means photobiological safety and eye-friendly colour temperature and reliability, all in the classic C37 design. iQ-LED bulbs provide full comfort of use and safety.

- Material: plastic
- Lampshade material: plastic

Date of issue: 02.02.2024, 16:01

We reserve the right to make technical changes. The data contained in this material are not legally binding.

EN

iQ LED

Kanlux

IQ-LED C37

LED light source



IQ-LED C37E14 4,2W-WW



IQ-LED C37E14 4,2W-NW



IQ-LED C37E14 7,2W-WW



IQ-LED C37E14 7,2W-NW



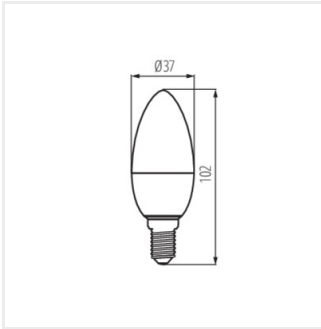
IQ-LED C37E14 7,2W

iQ LED

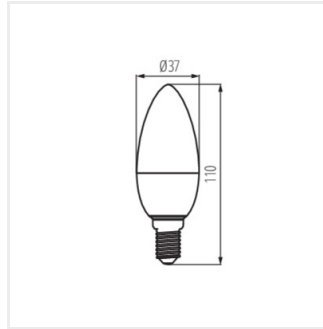
Kanlux

IQ-LED C37

LED light source



IQ-LED C37E14 4,2W



IQ-LED C37E14 7,2W