

# iQ-LED

## Kanlux

### IQ-LED G45

LED light source



[V] 220-240 AC	[Hz] 50	SMD	360° Φ <sub>use</sub>	ellipse ≤ 6x MacAdam	Ra 80	≥40000
25000 [h]	Hg		CE	EAC	UK CA	



IQ-LED G45E14 4,2W-WW



Model	Pon [lm/W]	Power [W]	Light [lm]	Temperature [K]	Beam angle [°]	Efficacy [lm/W]	Base	Class
IQ-LED G45E14 4.2W-WW	33734	4.2	40	470	2700	240	E14	E
IQ-LED G45E14 4.2W-NW	33735	4.2	40	470	4000	240	E14	E
IQ-LED G45E14 4.2W-CW	33736	4.2	40	470	6500	240	E14	E
IQ-LED G45E27 4.2W-NW	33738	4.2	40	470	4000	240	E27	E
IQ-LED G45E27 4.2W-CW	33739	4.2	40	470	6500	240	E27	E
IQ-LED G45E14 7.2W-WW	33740	7.2	60	806	2700	240	E14	E
IQ-LED G45E14 7.2W-NW	33741	7.2	60	806	4000	240	E14	E
IQ-LED G45E14 7.2W-CW	33742	7.2	60	806	6500	240	E14	E
IQ-LED G45E27 7.2W-WW	33743	7.2	60	806	2700	240	E27	E
IQ-LED G45E27 7.2W-NW	33744	7.2	60	806	4000	240	E27	E
IQ-LED G45E27 7.2W-CW	33745	7.2	60	806	6500	240	E27	E

The Kanlux iQ-LED means photobiological safety and eye-friendly colour temperature and reliability, all in the classic G45

Date of issue: 02.02.2024, 14:58

We reserve the right to make technical changes. The data contained in this material are not legally binding.

EN

# iQ-LED

## Kanlux

### IQ-LED G45

---

#### LED light source

design. iQ-LED bulbs provide full comfort of use and safety.

- Material: plastic
- Lampshade material: plastic



IQ-LED G45E14 4,2W



IQ-LED G45E27 4,2W



IQ-LED G45E14 7,2W



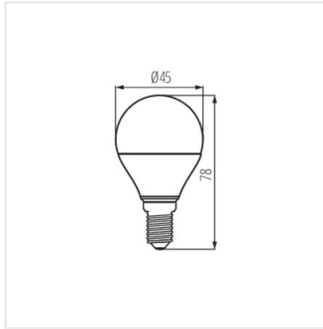
IQ-LED G45E27 7,2W

**iQ** LED

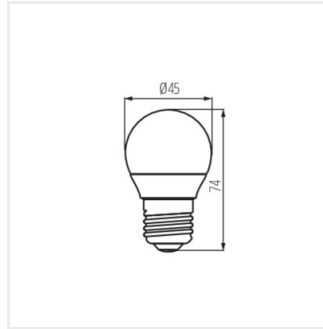
**Kanlux**

## IQ-LED G45

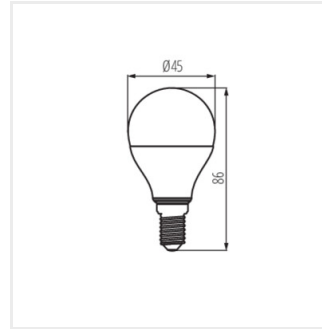
LED light source



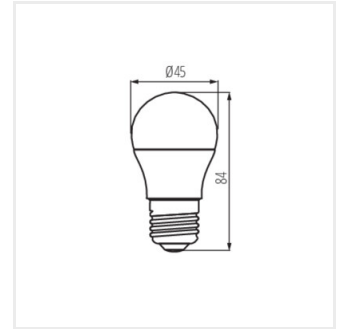
IQ-LED G45E14 4,2W



IQ-LED G45E27 4,2W



IQ-LED G45E14 7,2W



IQ-LED G45E27 7,2W