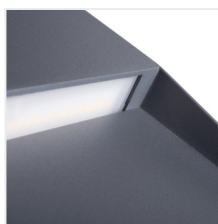


DULI LED

Surface-mounted light fitting



[V] 220-240 AC	[Hz] 50	≥ 25000	[h] 30000	ellipse $\leq 6^\circ$ Macadam	Ra 80	SMD
		IP 54	\varnothing -m 0,2m	[°C] -15+35		
	[mm] 0.75-1.5	360° \varnothing_{use}				



DULI LED 4W-NW-L-GR



	[W]	[lm]	T _c [K]	
DULI LED 4W-NW-L-GR	33750	4	100	4000 anthracite
DULI LED 4W-NW-O-GR	33751	4	100	4000 anthracite
DULI LED 6.5W-NW-L-GR	33752	6.5	270	4000 anthracite
DULI LED 6.5W-NW-O-GR	33753	6.5	270	4000 anthracite

Kanlux DULI LED is a series of surface-mounted, façade luminaires. Modern and geometric design in a simple form makes this series very universal. A matte graphite finish and the most popular colour temperature for architectural luminaires (4000K) are other advantages. Kanlux DULI LED is decorative accent lighting that illuminates and decorates spaces around the building. Kanlux DULI LED surface-mounted luminaires are powered by 230V without using an additional power supply unit.

- Enclosure material: aluminum alloy
- Protective glass material: PC

DULI LED

Surface-mounted light fitting



DULI LED 4W-NW-L-GR



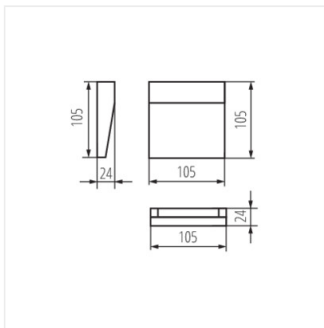
DULI LED 4W-NW-O-GR



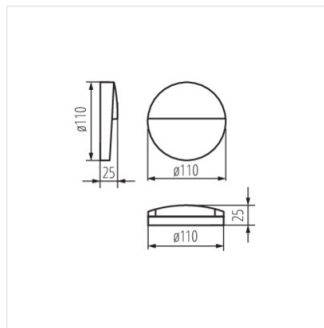
DULI LED 6,5W-NW-L-GR



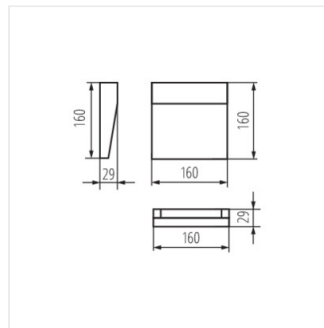
DULI LED 6,5W-NW-O-GR



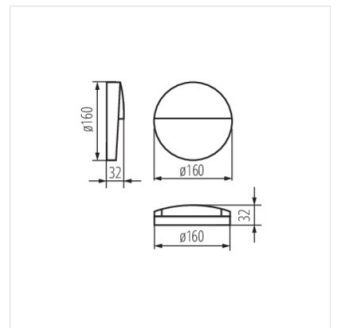
DULI LED 4W-NW-L-GR



DULI LED 4W-NW-O-GR



DULI LED 6,5W-NW-L-GR



DULI LED 6,5W-NW-O-GR