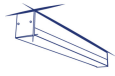


ALD-SH-NT

Linear LED luminaire



DALI
system

 220-240 AC	 50	 ≥30000	 50000	 ≤3x MacAdam	 80	 SMD
 DALI	 ⊕	 IP 20	 House	 5÷25	 ↑	 Box
 0.5÷2.5	 Fan	 0,5m	 CE	 EAC	 UK CA	 ♻️



ALD-SH-WW-MAT-W-NT

ALD-SH-WW-MAT-W-NT	34155	19	3000	matt	X85/Y95	white	2250	580
ALD-SH-WW-MPR-W-NT	34159	19	3000	microprismatic	X75/Y90	white	2050	580
ALD-SH-WW-MAT-B-NT	34167	19	3000	matt	X85/Y95	black	2250	580
ALD-SH-WW-MPR-B-NT	34171	19	3000	microprismatic	X75/Y90	black	2050	580
ALD-SH-WW-MAT-S-NT	34179	19	3000	matt	X85/Y95	silver	2250	580
ALD-SH-WW-MPR-S-NT	34183	19	3000	microprismatic	X75/Y90	silver	2050	580

- 5 years Warranty under the terms of the warranty statement, available on our website
- Enclosure material: aluminum alloy
- Lampshade material: plastic

ALD-SH-NT

Linear LED luminaire



ALD-SH-WW-MAT-W-NT



ALD-SH-WW-MPR-W-NT



ALD-SH-WW-MAT-B-NT



ALD-SH-WW-MPR-B-NT



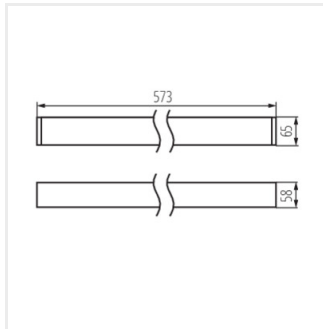
ALD-SH-WW-MAT-S-NT



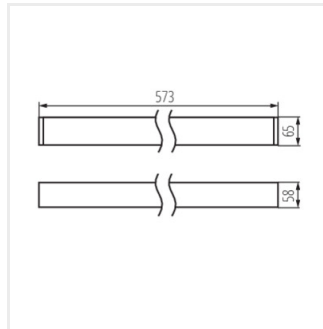
ALD-SH-WW-MPR-S-NT

ALD-SH-NT

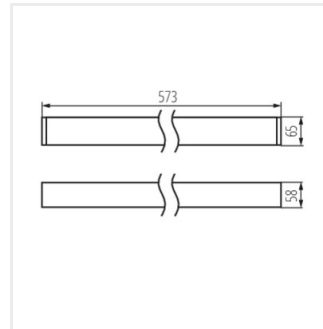
Linear LED luminaire



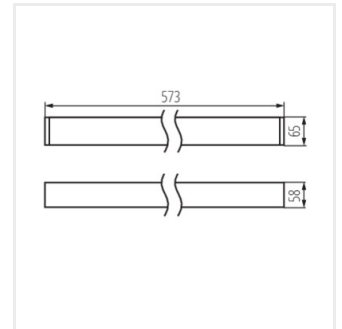
ALD-SH-WW-MAT-W-NT



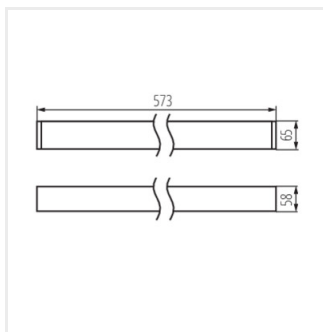
ALD-SH-WW-MPR-W-NT



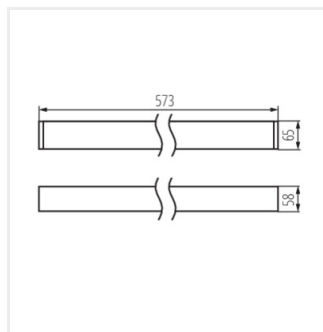
ALD-SH-WW-MAT-B-NT



ALD-SH-WW-MPR-B-NT



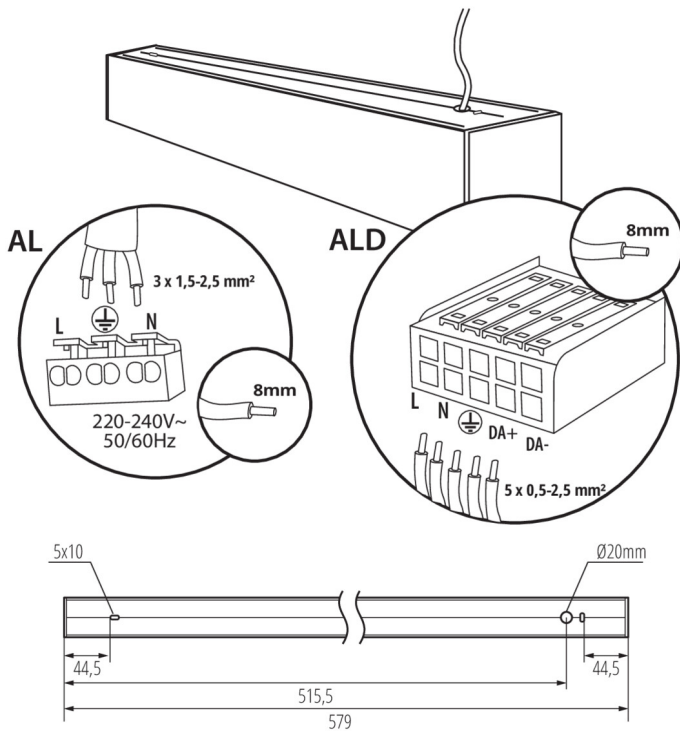
ALD-SH-WW-MAT-S-NT



ALD-SH-WW-MPR-S-NT

ALD-SH-NT

Linear LED luminaire



Accessories

32543	ALIN CORD DALI 1F-W	Power supply terminal for ALIN luminaires and tracks, 1-phase, DALI, white, 150 cm
32544	ALIN CORD DALI 1F-B	Power supply terminal for ALIN luminaires and tracks, 1-phase, DALI, black, 150 cm
32545	ALIN CORD DALI 1F-SR	Power supply terminal for ALIN luminaires and tracks, 1-phase, DALI, silver, 150 cm
07871	ROPE-NT 150 SINGLE	ROPE-NT 150 SINGLE steel rope (single) for suspending fittings, 2 pcs. in a set
29557	ALIN NT GRIP	Wall bracket for the ALIN luminaire, 2 pcs included
27109	KLOSZ MPR AL 11W/17W	MPR shade for fitting ALIN, MPR SHADE AL 11W/17W, (27109)