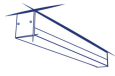


ALD-MH-NT

Linear LED luminaire



DALI
system

 220-240 AC	 50	 ≥30000	 50000	 ≤3x MacAdam	 80	 SMD
 DALI	 ⊕	 IP 20	 House	 5÷25	 ↑	 Box
 0.5÷2.5	 Fan	 0,5m	 CE	 EAC	 UK CA	 ♻️



ALD-MH-NW-MAT-W-NT

ALD-MH-NW-MAT-W-NT	34225	40	4000	matt	X85/Y95	white	5050 1140
ALD-MH-WW-MAT-W-NT	34227	40	3000	matt	X85/Y95	white	4500 1140
ALD-MH-NW-MPR-W-NT	34229	40	4000	microprismatic	X75/Y90	white	4650 1140
ALD-MH-WW-MPR-W-NT	34231	40	3000	microprismatic	X75/Y90	white	4150 1140
ALD-MH-NW-MAT-B-NT	34237	40	4000	matt	X85/Y95	black	5050 1140
ALD-MH-WW-MAT-B-NT	34239	40	3000	matt	X85/Y95	black	4500 1140
ALD-MH-NW-MPR-B-NT	34241	40	4000	microprismatic	X75/Y90	black	4650 1140
ALD-MH-WW-MPR-B-NT	34243	40	3000	microprismatic	X75/Y90	black	4150 1140
ALD-MH-NW-MAT-S-NT	34249	40	4000	matt	X85/Y95	silver	5050 1140
ALD-MH-WW-MAT-S-NT	34251	40	3000	matt	X85/Y95	silver	4500 1140
ALD-MH-NW-MPR-S-NT	34253	40	4000	microprismatic	X75/Y90	silver	4650 1140
ALD-MH-WW-MPR-S-NT	34255	40	3000	microprismatic	X75/Y90	silver	4150 1140

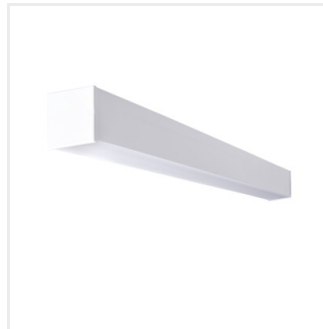
- 5 years Warranty under the terms of the warranty statement, available on our website
- Enclosure material: aluminum alloy
- Lampshade material: plastic

ALD-MH-NT

Linear LED luminaire



ALD-MH-NW-MAT-W-NT



ALD-MH-WW-MAT-W-NT



ALD-MH-NW-MPR-W-NT



ALD-MH-WW-MPR-W-NT



ALD-MH-NW-MAT-B-NT



ALD-MH-WW-MAT-B-NT



ALD-MH-NW-MPR-B-NT



ALD-MH-WW-MPR-B-NT



ALD-MH-NW-MAT-S-NT



ALD-MH-WW-MAT-S-NT



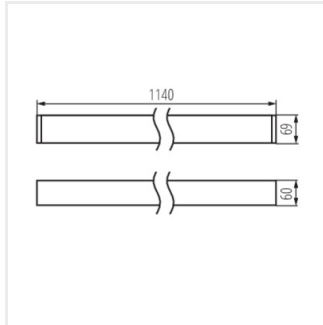
ALD-MH-NW-MPR-S-NT



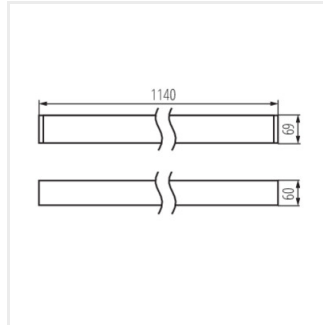
ALD-MH-WW-MPR-S-NT

ALD-MH-NT

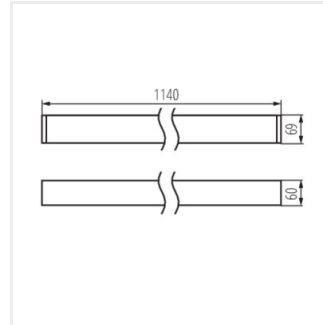
Linear LED luminaire



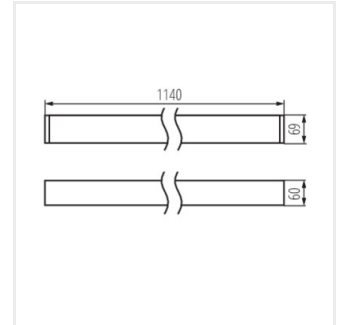
ALD-MH-NW-MAT-W-NT



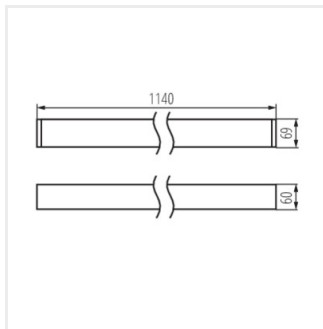
ALD-MH-WW-MAT-W-NT



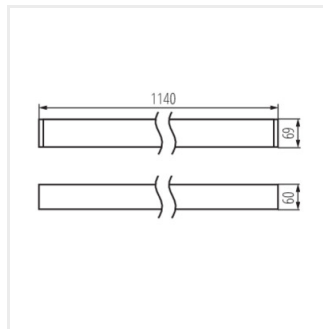
ALD-MH-NW-MPR-W-NT



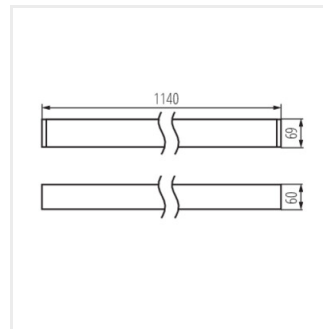
ALD-MH-WW-MPR-W-NT



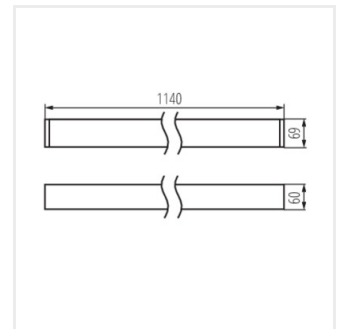
ALD-MH-NW-MAT-B-NT



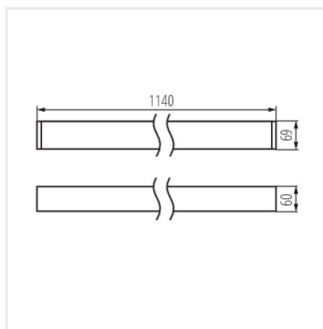
ALD-MH-WW-MAT-B-NT



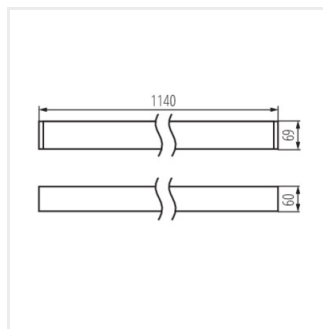
ALD-MH-NW-MPR-B-NT



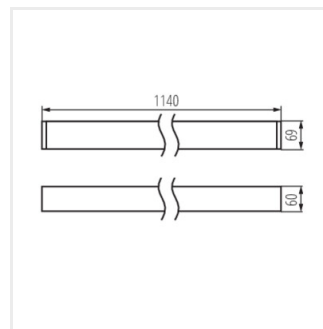
ALD-MH-WW-MPR-B-NT



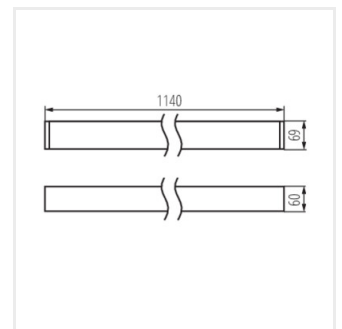
ALD-MH-NW-MAT-S-NT



ALD-MH-WW-MAT-S-NT



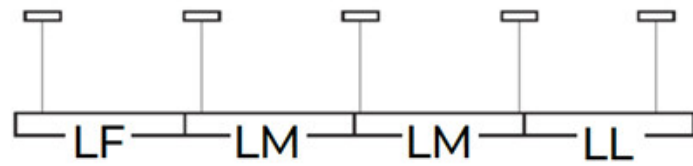
ALD-MH-NW-MPR-S-NT



ALD-MH-WW-MPR-S-NT

ALD-MH-NT

Linear LED luminaire



Accessories

32543

ALIN CORD DALI 1F-W

Power supply terminal for ALIN luminaires and tracks, 1-phase, DALI, white, 150 cm



32544

ALIN CORD DALI 1F-B

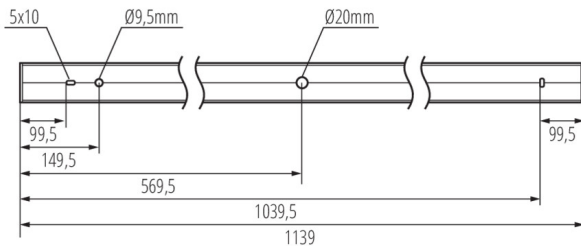
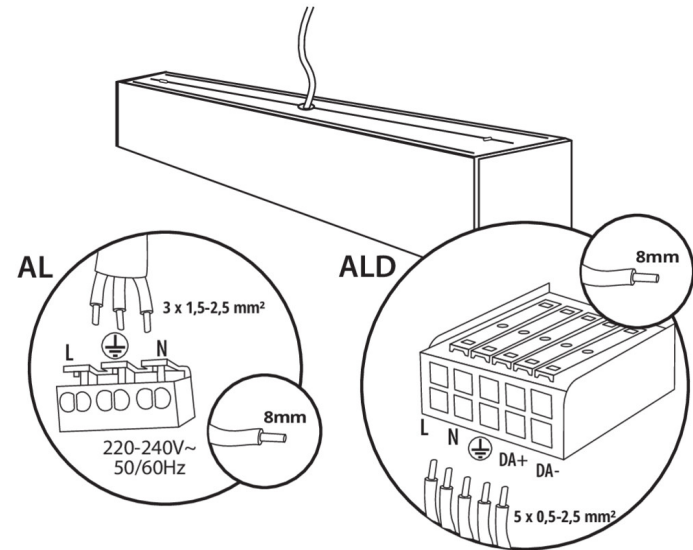
Power supply terminal for ALIN luminaires and tracks, 1-phase, DALI, black, 150 cm



32545

ALIN CORD DALI 1F-SR

Power supply terminal for ALIN luminaires and tracks, 1-phase, DALI, silver, 150 cm



07871

ROPE-NT 150 SINGLE

ROPE-NT 150 SINGLE steel rope (single) for suspending fittings, 2 pcs. in a set



29557

ALIN NT GRIP

Wall bracket for the ALIN luminaire, 2 pcs included



25979

KLOSZ MPR AL 23W/33W

MPR shade for fitting ALIN, MPR SHADE AL 23W/33W, (25979)

