

SONDA II

Wall & ceiling lighting fitting



MODERN
design

[V] 220-240 AC	[Hz] 50	 PAR16	 GU10		IP 20	
 5÷25		 330	 120		 1÷2.5	 0,5m
CE	EAC	UK CA				



SONDA II EL-10 B



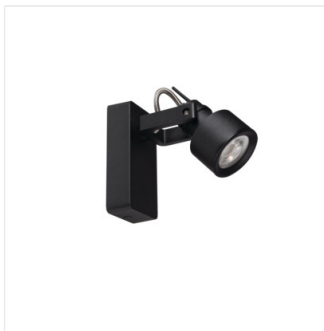
SONDA II EL-10 B	34920	max 10	black
SONDA II EL-10 W	34921	max 10	white
SONDA II EL-2I B	34922	2 x max 10	black
SONDA II EL-2I W	34923	2 x max 10	white
SONDA II EL-3I B	34924	3 x max 10	black
SONDA II EL-3I W	34925	3 x max 10	white
SONDA II EL-3O B	34926	3 x max 10	black
SONDA II EL-3O W	34927	3 x max 10	white
SONDA II EL-4O B	34928	4 x max 10	black
SONDA II EL-4O W	34929	4 x max 10	white

Kanlux SONDA II is a modern lamp series in which you can choose from 1 to 4 points of light. The modern shape of these luminaires will constitute a unique decoration of any interior. An additional advantage of Kanlux SONDA II lamps is the extremely elegant finish of the lampshade that hides the edges of the source of light so that only the bulb lens is visible.

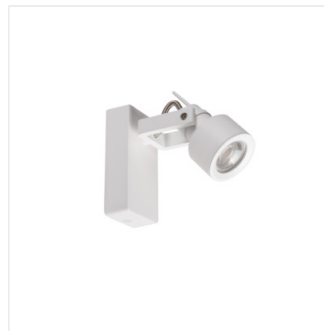
- Enclosure material: aluminum alloy

SONDA II

Wall & ceiling lighting fitting



SONDA II EL-10 B



SONDA II EL-10 W



SONDA II EL-21 B



SONDA II EL-21 W



SONDA II EL-31 B



SONDA II EL-31 W



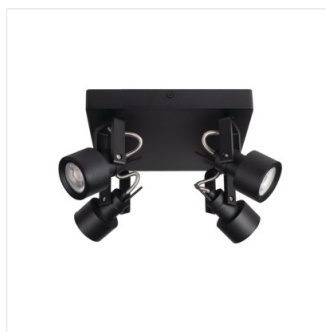
SONDA II EL-30 B



SONDA II EL-30 W

SONDA II

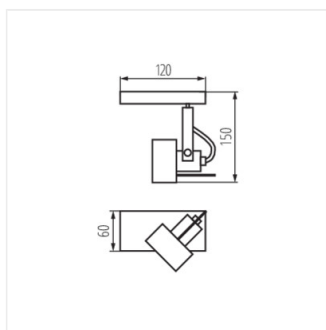
Wall & ceiling lighting fitting



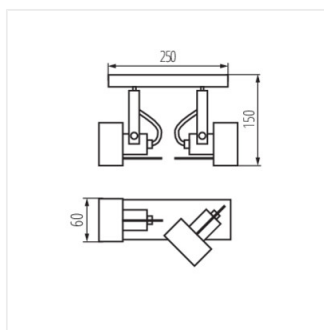
SONDA II EL-40 B



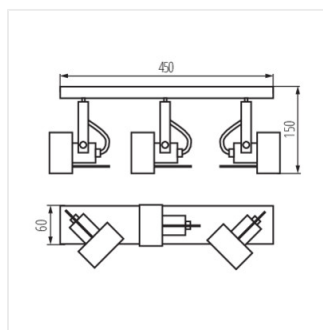
SONDA II EL-40 W



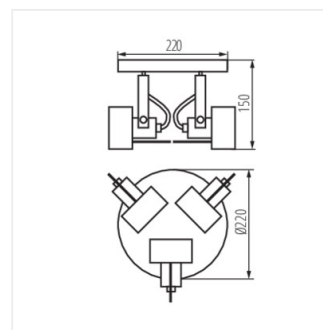
SONDA II EL-10 B



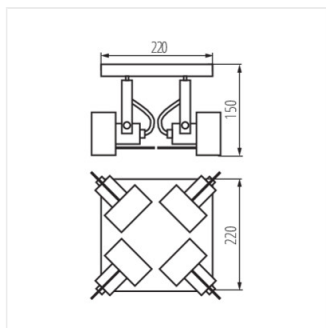
SONDA II EL-21 B



SONDA II EL-31 B



SONDA II EL-30 B



SONDA II EL-40 B