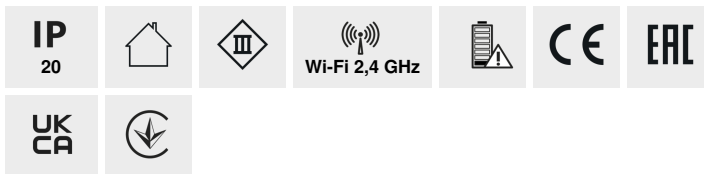


KANLUX SMART



S SENSOR PIR INT 10M



S SENSOR PIR INT 10M	34940	2 x 3V DC / 5V USB	2 x CR123A
S SENSOR W INT	34941	2 x 1,5 DC	2 x AAA
S SENSOR ON/OFF INT	34942	2 x 1,5 DC	2 x AAA



S SENSOR PIR INT 10M

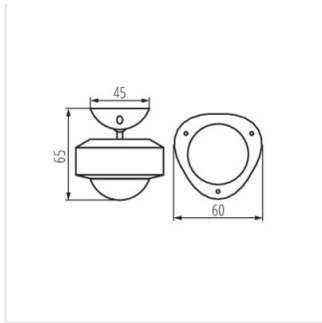


S SENSOR W INT

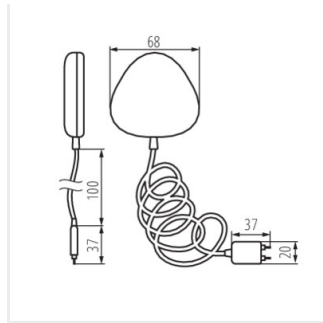


S SENSOR ON/OFF INT

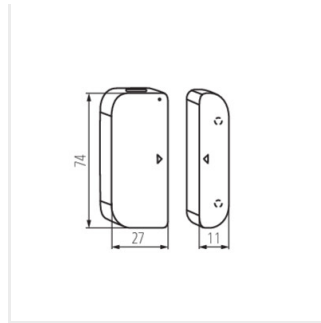
KANLUX SMART



S SENSOR PIR INT 10M



S SENSOR W INT



S SENSOR ON/OFF INT