

# iQ-LED

## Kanlux

### IQ-LED AR-111

#### LED light source



[V] 12 AC 50Hz; 12 DC	AR-111	SMD	90° Φ <sub>use</sub>	ellipse ≤ 6x MacKadam	Ra 97	≥40000
[h] 45000	Hg		CE	EAC	UKCA	



IQ-LED AR-111 13W-WW



IQ-LED AR-111 13W-WW	<b>35252</b>	13	107	1050	950	2700	40	G53	G
IQ-LED AR-111 13W-NW	<b>35253</b>	13	107	1050	950	4000	40	G53	G

Kanlux IQ LED AR-111 LED is a LED version of older 12V halogen sources. They are characterized by a long lifetime (45,000 hours), 5 Year warranty and low energy consumption. We recommend this light source wherever it is visible - due to its decorative value. Kanlux IQ-LED AR-111 are also distinguished by a very high Color Rendering Index Ra > 97.

- 5 years Warranty under the terms of the warranty statement, available on our website
- Lampshade material: plastic

Date of issue: 02.02.2024, 16:38

We reserve the right to make technical changes. The data contained in this material are not legally binding.

EN

**iQ**.LED

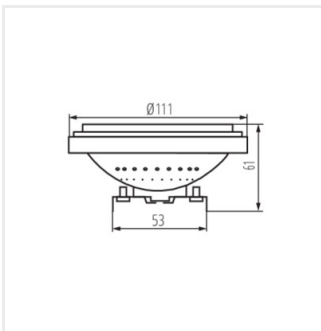
**Kanlux**

## IQ-LED AR-111

LED light source



IQ-LED AR-111 13W



IQ-LED AR-111 13W