

XLED G45

LED light source



XLED G45 E14 4,5W



XLED G45 E14 4.5W-WW	29624	4.5	40	470	2700	320	E14	F
XLED G45 E27 4.5W-WW	29625	4.5	40	470	2700	320	E27	F

Kanlux XLED combines the best features of traditional bulbs and modern LED light sources. Therefore, we talk about it as the first real LED bulb. A glass bulb in the shape of a traditional “ball” and LED diodes placed in such a way so that light can part in all directions. You choose from sources with E27 and E14 light bulb bases.

- Lampshade material: glass

XLED G45

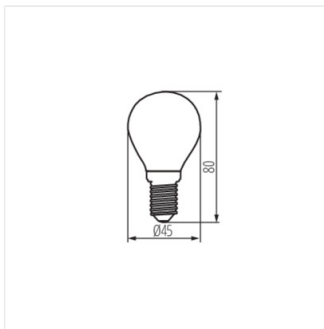
LED light source



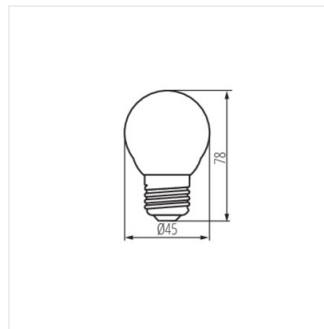
XLED G45 E14 4,5W



XLED G45 E27 4,5W



XLED G45 E14 4,5W



XLED G45 E27 4,5W