

LEADIE LED

LED desk lamp

changeable
COLOUR
temperature

DIMMING
function

MODERN
design



LEADIE LED W

$[V]$ 220-240 AC	$[Hz]$ 50	≥ 15000	25000 $^{(h)}$	ellipse $\leq 6^\circ$ MacAdam	Ra 80	SMD
			IP 20	$0,1m$		
320 $^{[^\circ]}$	95 $^{[^\circ]}$			1.7 $^{(m)}$	lm W max 65	CE
EAC	UK CA					



LEADIE LED W	35290	max 4,6	white	max 300	3000/4500/6500
LEADIE LED B	35291	max 4,6	black	max 300	3000/4500/6500

- Enclosure material: plastic
- Lampshade material: plastic
- Extension-arm material: Metal



LEADIE LED

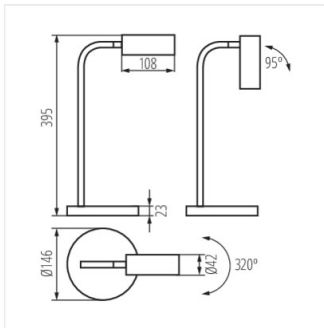
LED desk lamp



LEADIE LED W



LEADIE LED B



LEADIE LED