

- 5 years Warranty under the terms of the warranty statement, available on our website



<b>[V]</b> 220-240 AC	<b>[Hz]</b> 50	$\geq 30000$	50000	ellipse $\leq 3\text{Machdam}$	Ra 80	SMD
		<b>IP</b> 20		$^{\circ}\text{C}$ 5÷25		
$^{\text{mm}^2}$ 1.5÷2.5		$\text{C} \rightarrow \text{m}$ 0,5m	<b>CE</b>	<b>EAC</b>	<b>UK CA</b>	



AL-MS-NW-MAT-B-PT

		[W]	Tc [K]	TYPE	$^{\circ}$		[m]	[mm]
AL-MS-NW-MAT-B-PT	<a href="#">35616</a>	18	4000	matt	X85/Y95	black	2400	1150
AL-MS-NW-MAT-S-PT	<a href="#">35620</a>	18	4000	matt	X85/Y95	silver	2400	1150
AL-MS-NW-MAT-W-PT	<a href="#">35612</a>	18	4000	matt	X85/Y95	white	2400	1150
AL-MS-NW-MPR-B-PT	<a href="#">35618</a>	18	4000	microprismatic	X75/Y90	black	2250	1150
AL-MS-NW-MPR-S-PT	<a href="#">35622</a>	18	4000	microprismatic	X75/Y90	silver	2250	1150
AL-MS-NW-MPR-W-PT	<a href="#">35614</a>	18	4000	microprismatic	X75/Y90	white	2250	1150
AL-MS-WW-MAT-B-PT	<a href="#">35617</a>	18	3000	matt	X85/Y95	black	2300	1150
AL-MS-WW-MAT-S-PT	<a href="#">35621</a>	18	3000	matt	X85/Y95	silver	2300	1150
AL-MS-WW-MAT-W-PT	<a href="#">35613</a>	18	3000	matt	X85/Y95	white	2300	1150
AL-MS-WW-MPR-B-PT	<a href="#">35619</a>	18	3000	microprismatic	X75/Y90	black	2150	1150
AL-MS-WW-MPR-S-PT	<a href="#">35623</a>	18	3000	microprismatic	X75/Y90	silver	2150	1150
AL-MS-WW-MPR-W-PT	<a href="#">35615</a>	18	3000	microprismatic	X75/Y90	white	2150	1150



AL-MS-NW-MAT-B-PT



AL-MS-NW-MAT-S-PT



AL-MS-NW-MAT-W-PT



AL-MS-NW-MPR-B-PT



AL-MS-NW-MPR-S-PT



AL-MS-NW-MPR-W-PT



AL-MS-WW-MAT-B-PT



AL-MS-WW-MAT-S-PT



AL-MS-WW-MAT-W-PT



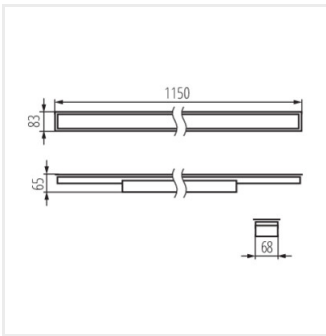
AL-MS-WW-MPR-B-PT



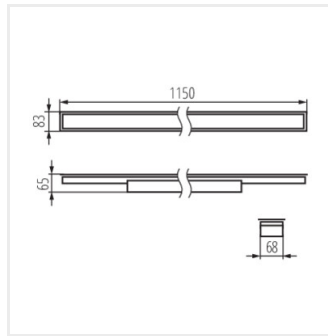
AL-MS-WW-MPR-S-PT



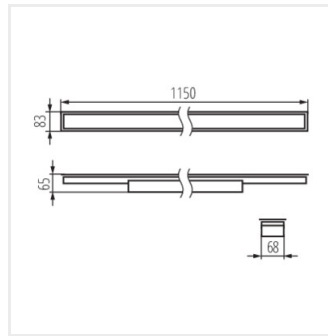
AL-MS-WW-MPR-W-PT



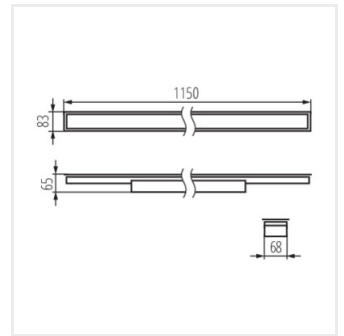
AL-MS-NW-MAT-B-PT



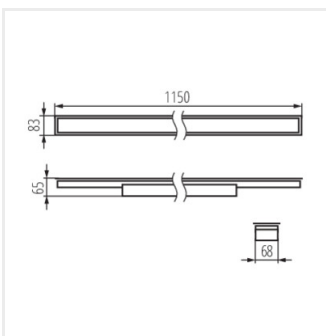
AL-MS-NW-MAT-S-PT



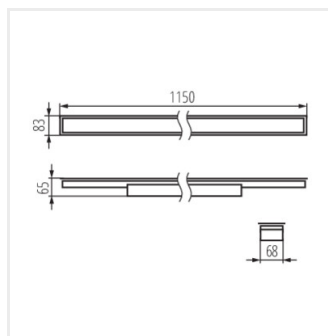
AL-MS-NW-MAT-W-PT



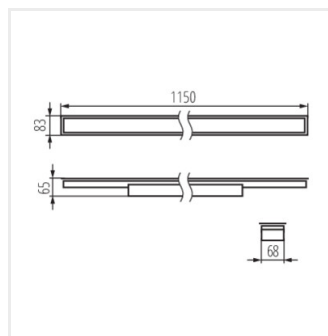
AL-MS-NW-MPR-B-PT



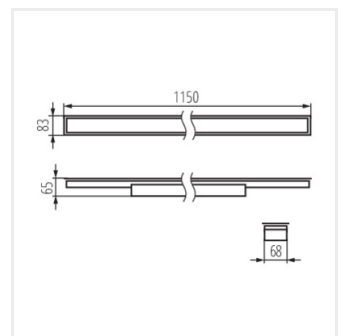
AL-MS-NW-MPR-S-PT



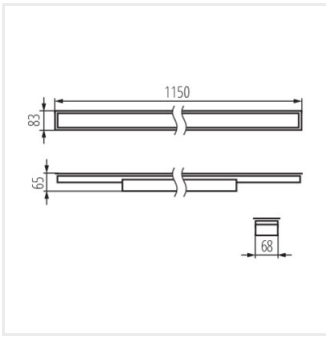
AL-MS-NW-MPR-W-PT



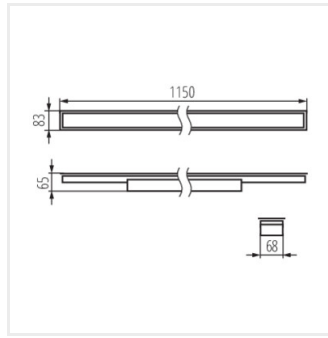
AL-MS-WW-MAT-B-PT



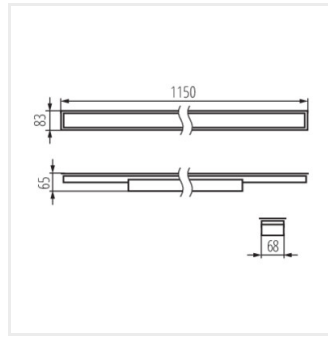
AL-MS-WW-MAT-S-PT



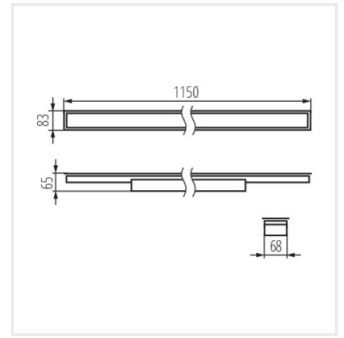
AL-MS-WW-MAT-W-PT



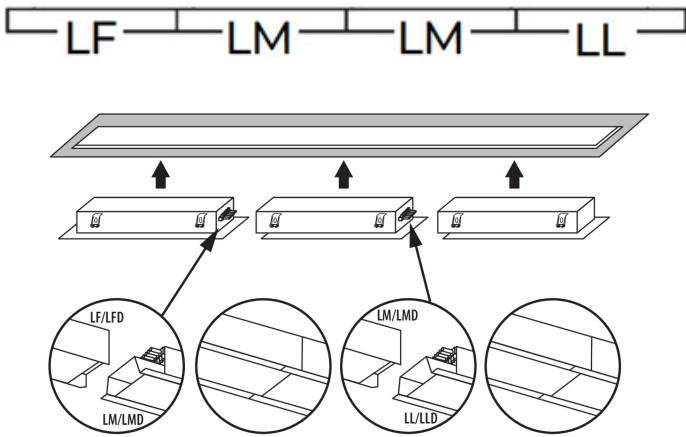
AL-MS-WW-MPR-B-PT



AL-MS-WW-MPR-S-PT



AL-MS-WW-MPR-W-PT



Date of issue: 04.11.2024, 14:10

We reserve the right to make technical changes. The data contained in this material are not legally binding.  
 Photometry: the results obtained from testing were from a specific sample.