

KP-DB-I-MF

Rozdzielnica metalowa



KP-DB-I-MF-218



IP



MATERIAL



KP-DB-I-MF-218	29320	white	2x18P	Recessed mount in the wall	30	steel	I
KP-DB-I-MF-318	29321	white	3x18P	Recessed mount in the wall	30	steel	I
KP-DB-I-MF-418	29322	white	4x18P	Recessed mount in the wall	30	steel	I
KP-DB-I-MF-224	32639	white	2x24P	Recessed mount in the wall	30	steel	I
KP-DB-I-MF-324	32640	white	3x24P	Recessed mount in the wall	30	steel	I
KP-DB-I-MF-424	32641	white	4x24P	Recessed mount in the wall	30	steel	I
KP-DB-I-MF-524	32654	white	5x24P	Recessed mount in the wall	30	steel	I
KP-DB-I-MF-624	32655	white	6x24P	Recessed mount in the wall	30	steel	I
KP-DB-I-MF-212	35680	white	2x12P	Recessed mount in the wall	30	steel	I
KP-DB-I-MF-312	35681	white	3x12P	Recessed mount in the wall	30	steel	I
KP-DB-I-MF-412	35682	white	4x12P	Recessed mount in the wall	30	steel	I
KP-DB-I-MF-512	35683	white	5x12P	Recessed mount in the wall	30	steel	I
KP-DB-I-MF-518	35684	white	5x18P	Recessed mount in the wall	30	steel	I
KP-DB-I-MF-612	35685	white	6x12P	Recessed mount in the wall	30	steel	I
KP-DB-I-MF-618	35686	white	6x18P	Recessed mount in the wall	30	steel	I

Metal Consumer Units with DIN rails for modular installation are manufactured at the Kanlux Factory. They are designed for public and office buildings. Their scope allows you to carry out installations also in areas such as extensive residential installations.

- Materiał: stal

KP-DB-I-MF

Rozdzielnica metalowa



KP-DB-I-MF-218



KP-DB-I-MF-318



KP-DB-I-MF-418



KP-DB-I-MF-224



KP-DB-I-MF-324



KP-DB-I-MF-424



KP-DB-I-MF-524



KP-DB-I-MF-624



KP-DB-I-MF-212



KP-DB-I-MF-312



KP-DB-I-MF-412



KP-DB-I-MF-512



KP-DB-I-MF-518



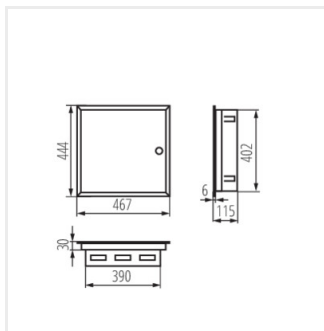
KP-DB-I-MF-612



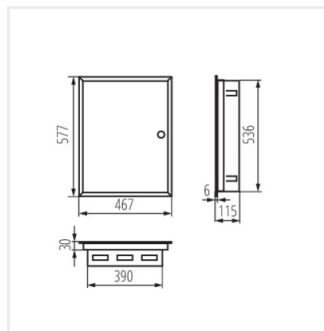
KP-DB-I-MF-618

KP-DB-I-MF

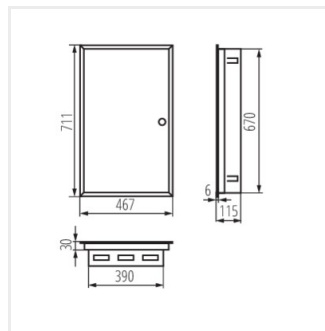
Rozdzielnica metalowa



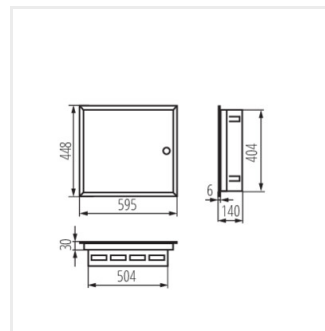
KP-DB-I-MF-218



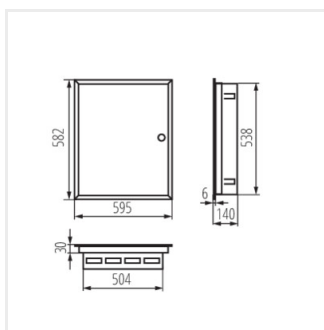
KP-DB-I-MF-318



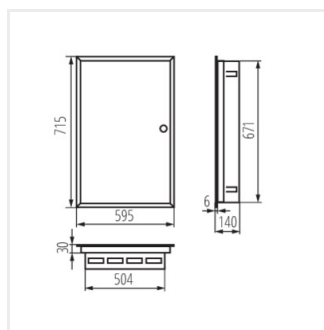
KP-DB-I-MF-418



KP-DB-I-MF-224



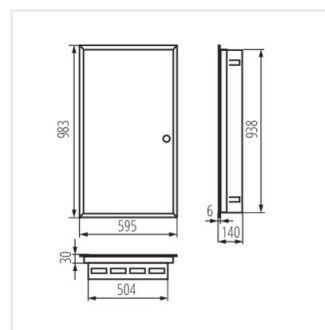
KP-DB-I-MF-324



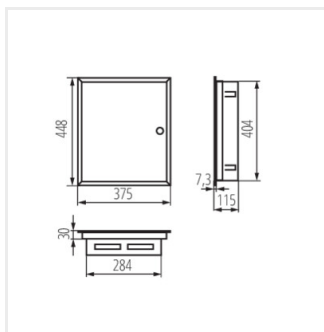
KP-DB-I-MF-424



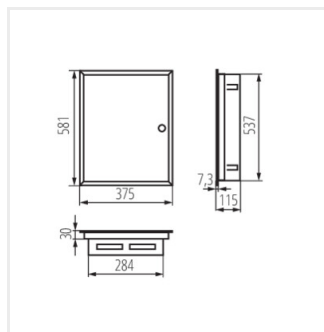
KP-DB-I-MF-524



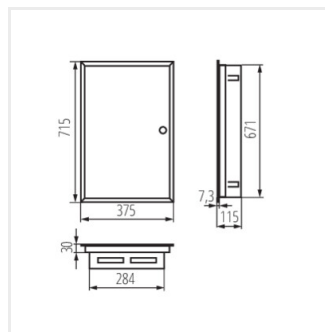
KP-DB-I-MF-624



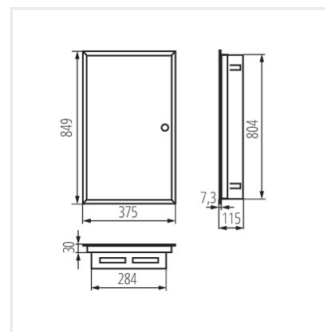
KP-DB-I-MF-212



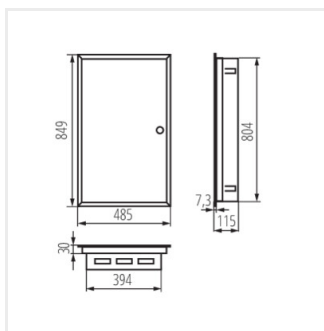
KP-DB-I-MF-312



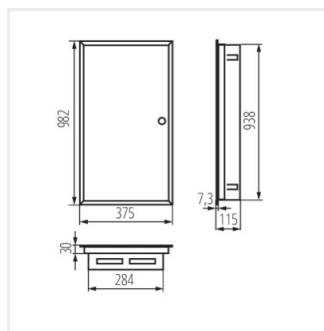
KP-DB-I-MF-412



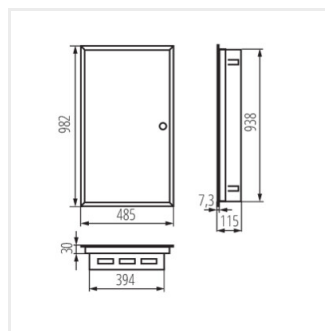
KP-DB-I-MF-512



KP-DB-I-MF-518



KP-DB-I-MF-612



KP-DB-I-MF-618