

## TEAR N RC

Accessory for electrical supply track systems



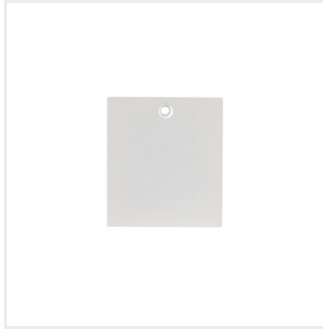
### TEAR N RC-PCON W



TEAR N RC-PCON W	<b>35790</b>	white
TEAR N RC-PCON B	<b>35791</b>	black
TEAR N RC-CON-L W	<b>35792</b>	white
TEAR N RC-CON-L B	<b>35793</b>	black
TEAR N RC-CON-I W	<b>35794</b>	white
TEAR N RC-CON-I B	<b>35795</b>	black
TEAR N RC-CON-T W	<b>35796</b>	white
TEAR N RC-CON-T B	<b>35797</b>	black
TEAR N RC-CON-X W	<b>35798</b>	white
TEAR N RC-CON-X B	<b>35799</b>	black
TEAR N R-TR 2M-W	<b>35800</b>	white
TEAR N R-TR 2M-B	<b>35801</b>	black
TEAR N RCLIP-W	<b>35802</b>	white
TEAR N RCLIP-B	<b>35803</b>	black

## TEAR N RC

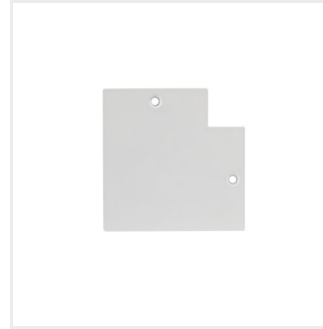
Accessory for electrical supply track systems



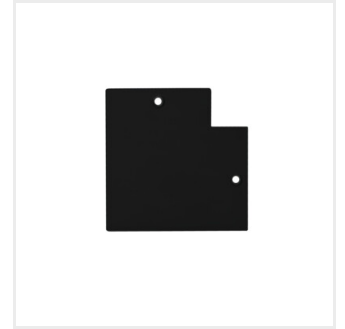
TEAR N RC-PCON W



TEAR N RC-PCON B



TEAR N RC-CON-L W



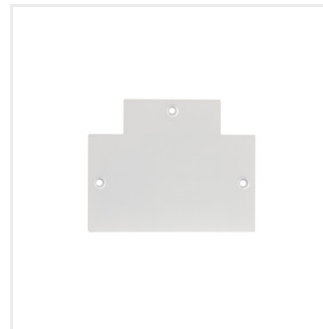
TEAR N RC-CON-L B



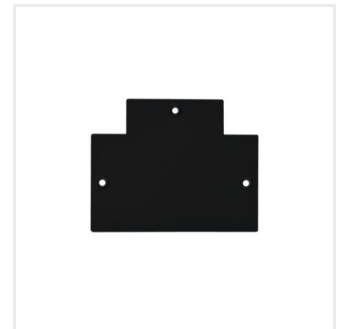
TEAR N RC-CON-I W



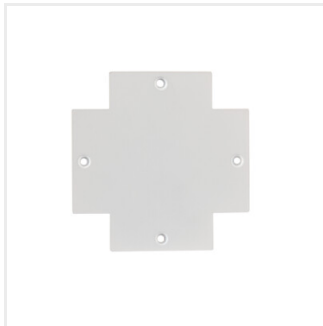
TEAR N RC-CON-I B



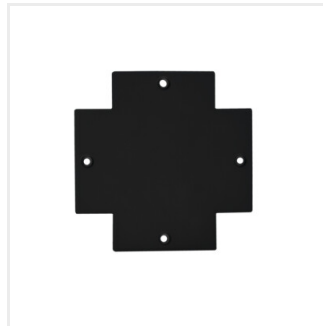
TEAR N RC-CON-T W



TEAR N RC-CON-T B



TEAR N RC-CON-X W



TEAR N RC-CON-X B



TEAR N R-TR 2M-W



TEAR N R-TR 2M-B



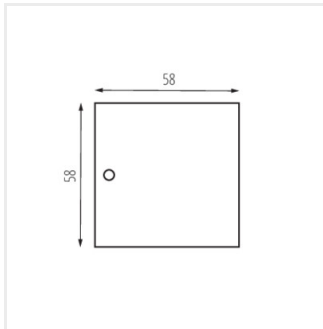
TEAR N RCLIP-W



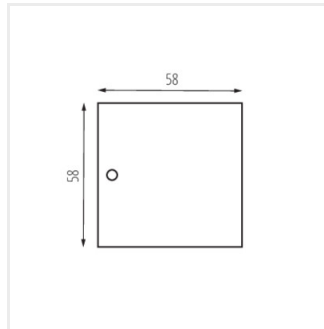
TEAR N RCLIP-B

## TEAR N RC

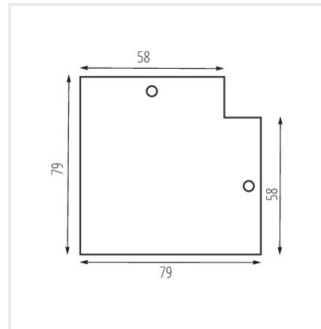
Accessory for electrical supply track systems



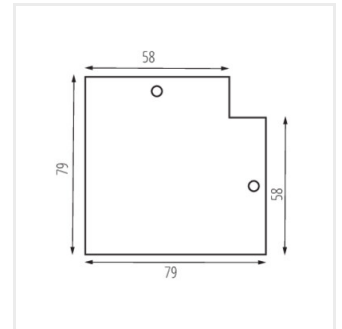
TEAR N RC-PCON W



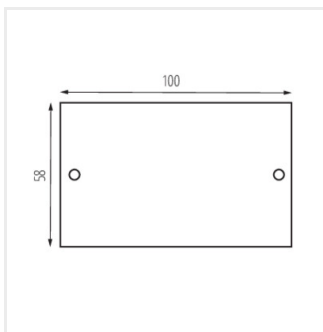
TEAR N RC-PCON B



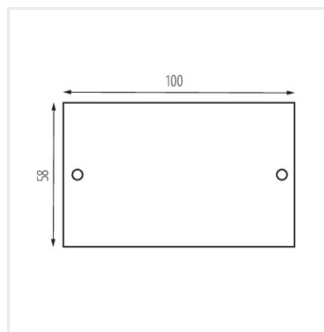
TEAR N RC-CON-L W



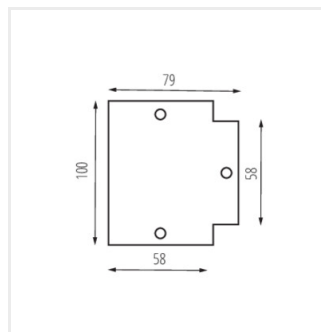
TEAR N RC-CON-L B



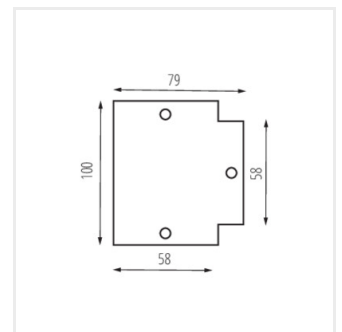
TEAR N RC-CON-I W



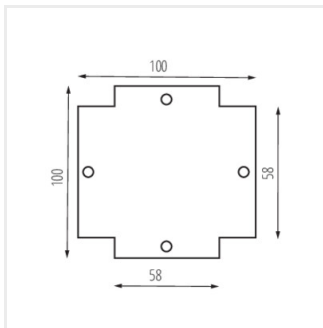
TEAR N RC-CON-I B



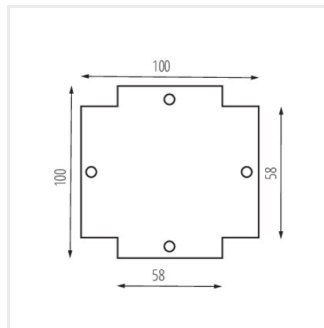
TEAR N RC-CON-T W



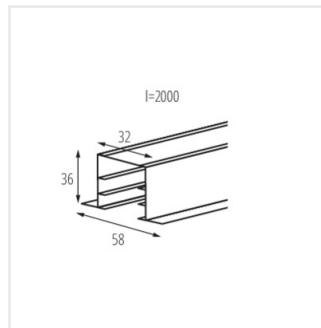
TEAR N RC-CON-T B



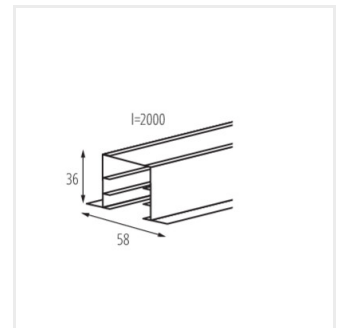
TEAR N RC-CON-X W



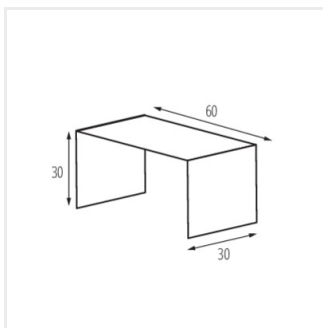
TEAR N RC-CON-X B



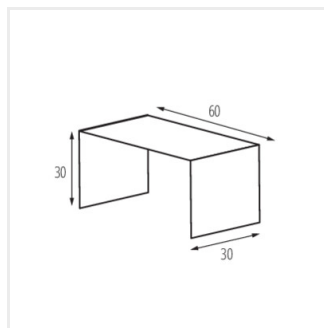
TEAR N R-TR 2M-W



TEAR N R-TR 2M-B



TEAR N RCLIP-W



TEAR N RCLIP-B