

STRETON LED

Parking lighting LED



[V] 220-240 AC	[Hz] 50	360° Φ _{use}	≥20000	50000	ellipse ≤ 6x MacAdam	Ra 70
SMD	IP 65			-20÷45	IK 08	
	0.4	1	1m			



STRETON LED 60W NW

STRETON LED 60W NW	36230	60	8400	4000	X140/Y90	grey	D
STRETON LED 100W NW	36231	100	14000	4000	X140/Y90	grey	D
STRETON LED 150W NW	36232	150	19500	4000	X140/Y90	grey	E
STRETON LED 200W NW	36233	200	26000	4000	X140/Y90	grey	E

Kanlux STRETON LED are outdoor luminaires designed to illuminate parking lots or larger areas that must be well lit also after dark. Their durability (50,000 hours), tightness (IP65) and high power (up to 200W) make Kanlux STRETON LED a perfect complement to an investment in urban space, in parking lots, in sports facilities or squares.

- 5 years Warranty under the terms of the warranty statement, available on our website
- Enclosure material: aluminum alloy
- Protective glass material: PC

STRETON LED

Parking lighting LED



STRETON LED 60W NW



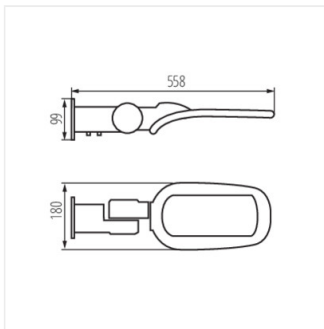
STRETON LED 100W NW



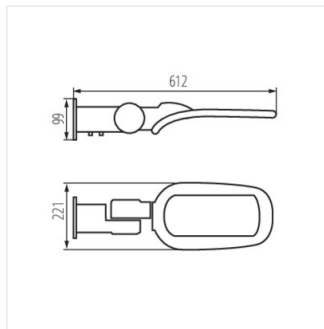
STRETON LED 150W NW



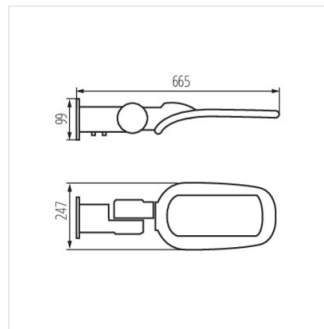
STRETON LED 200W NW



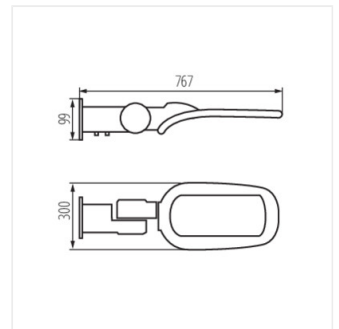
STRETON LED 60W NW



STRETON LED 100W NW



STRETON LED 150W NW

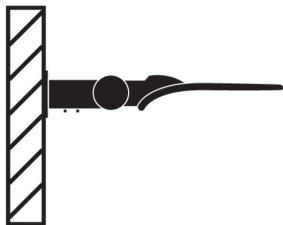


STRETON LED 200W NW

STRETON LED

Parking lighting LED

OPTION 1



OPTION 2

