

AGZAR C

Pendant lamp



HIGH
quality
finish

DESIGN
unique



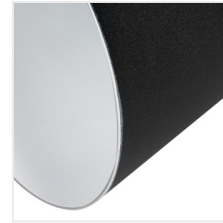
AGZAR C 3xE14 B



AGZAR C 3xE14 B **36252** 3 x max 5W black

AGZAR C 3xE14 W **36253** 3 x max 5W white

 220-240 AC	 50	 E14		IP 20		 5÷25
	 310	 180		 3 x 1+2,5	 0,5m	
CE	EAC	UK CA				



Kanlux AGZAR is a steel and elegant version of luminaires with an interesting and modern design. An undoubted advantage of these fittings is the ability to rotate the lampshade. The cables are braided and the lamp is made with attention to every detail. Kanlux AGZAR suspended luminaires have 3 light points (light sources with an E14 cap and a maximum power of 5W) and they are PREMIUM class luminaires.

- Enclosure material: steel

AGZAR C

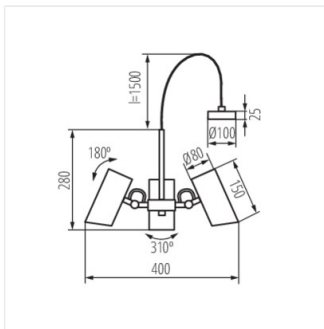
Pendant lamp



AGZAR C 3xE14 B



AGZAR C 3xE14 W



AGZAR C 3xE14