

## AGZAR EL

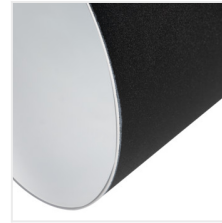
Wall & ceiling lighting fitting



HIGH  
quality  
finish

DESIGN  
unique

 220-240 AC	 50				 IP 20	
 5÷25		 345	 105		 1÷2.5	 0,5m



AGZAR EL-10 B



AGZAR EL-10 B **36254** max 5 black

AGZAR EL-10 W **36255** max 5 white

Kanlux AGZAR EL is a single-point spot made of steel. The big advantage of these fittings, apart from modern design, is the ability to rotate the lampshade. The cables are braided and the lamp is made with attention to every detail. Kanlux AGZAR EL is adapted to a light source with an E14 cap and a maximum power of 5W.

- Enclosure material: steel

## AGZAR EL

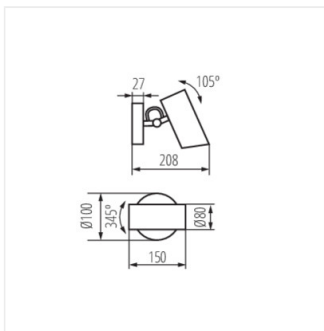
Wall & ceiling lighting fitting



AGZAR EL-10 B



AGZAR EL-10 W



AGZAR EL 10