

## LARATA EL

Wall & ceiling lighting fitting



HIGH  
quality  
finish

DESIGN  
unique

 220-240 AC	 50		 E27		<b>IP</b> 20	
 5÷25		 330	 100		 1÷2.5	 0,5m



LARATA EL-10 W



LARATA EL-10 W **36262** max 5 white

LARATA EL-10 B **36263** max 5 black

Kanlux LARATA EL is a single-point spot that can be used as ceiling lighting, but also as wall lighting. The housing is made of steel with attention to every detail. LARATA lamps are premium products that meet the requirements of even the greatest aesthetes.

- Enclosure material: Metal

## LARATA EL

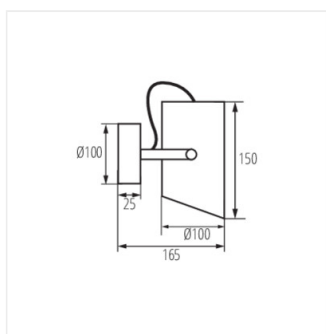
Wall & ceiling lighting fitting



LARATA EL-10 W



LARATA EL-10 B



LARATA EL-10