

## K LED GU10 6W

LED light source



 220-240 AC	 50	 PAR16	 SMD	 6	 120° Φ <sub>use</sub>	 ellipse ≤ 6x MacAdam
 Ra 80	 ≥15000	 20000	 Hg			



### K LED GU10 6W-NW



	PON [W]	[W]	[lm]	[lm] Φ <sub>use</sub>	T <sub>c</sub> [K]	[°]			Ei [A/G]
K LED GU10 6W-NW	<b>36331</b>	6	50	560	500	4000	100	GU10	F
K LED GU10 6W-CW	<b>36332</b>	6	50	560	500	6500	100	GU10	F
K LED N GU10 6W-WW	<b>36333</b>	6	50	560	485	3000	100	GU10	F

Kanlux K LED GU10 are two types of economical LED light sources. The luminous flux of up to 600 lumens makes it possible to use them in any room as supplementary light or by combining several sources as the main, strong light. Thanks to two colors to choose from (neutral and cold), we can successfully match them to our preferences.

- Material: plastic
- Lampshade material: plastic

## K LED GU10 6W

LED light source



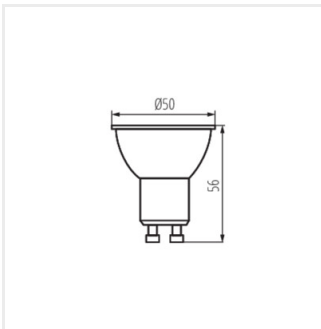
K LED GU10 6W-NW



K LED GU10 6W-CW



K LED N GU10 6W-WW



K LED GU10 6W