

JASMIN C

Pendant lamp



 220-240 AC	 50		IP 20		 5+25	
 0,5m	 1		CE	EAC	UK CA	



JASMIN C 270-G/O



JASMIN C 270-G/O	36499	max 20	E27	golden oak
JASMIN C 370-G/O	36500	2 x max 20	E27	golden oak
JASMIN C 470-G/O	36501	3 x max 20	E27	golden oak
JASMIN C 270-W/M	36502	max 20	E27	matte white
JASMIN C 370-W/M	36503	2 x max 20	E27	matte white
JASMIN C 470-W/M	36504	3 x max 20	E27	matte white
JASMIN C 270-B	36505	max 20	E27	black
JASMIN C 370-B	36506	2 x max 20	E27	black
JASMIN C 470-B	36507	3 x max 20	E27	black

Kanlux JASMIN is a family of wooden, round hanging holders with a replaceable source of light. Different sizes and colours of ceiling light fixtures are available - from 1 to 3 light sources with E27 light bulb base match each of them. The holders can be enriched by wall lamps and ceiling light fixtures of the same series.

- fitting suspended on steel wires
- Enclosure material: Wood
- Lampshade material: glass

JASMIN C

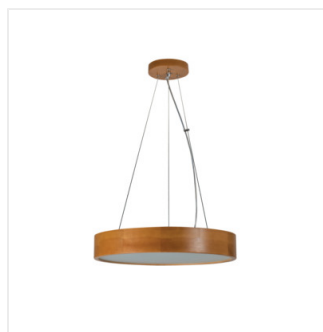
Pendant lamp



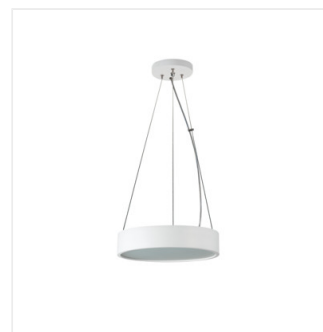
JASMIN C 270-G/O



JASMIN C 370-G/O



JASMIN C 470-G/O



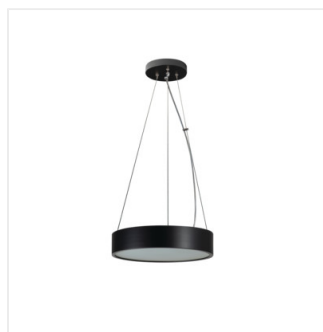
JASMIN C 270-W/M



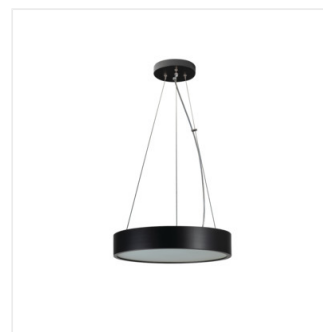
JASMIN C 370-W/M



JASMIN C 470-W/M



JASMIN C 270-B



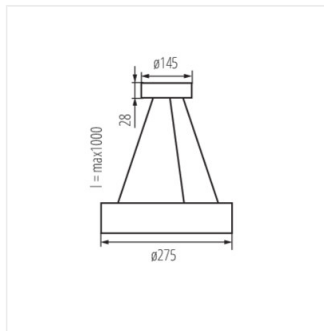
JASMIN C 370-B



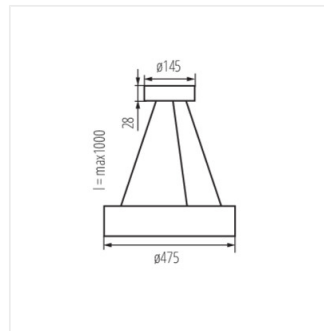
JASMIN C 470-B

JASMIN C

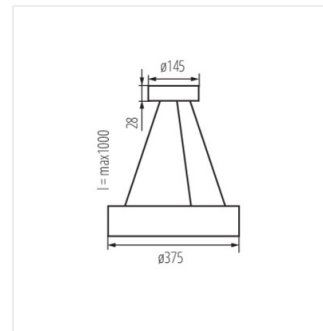
Pendant lamp



JASMIN C 270



JASMIN C 470



JASMIN C 370