

SELTO

Garden light fitting with replaceable light source



[V] 220-240 AC	[Hz] 50	Icon: No open flame	Icon: Light bulb	Icon: Ground symbol	IP 44	Icon: House with lightning bolt
Icon: Temperature range -20+35	Icon: Light bulb	Icon: Cable cross-section 1.5	Icon: Cable length 0,5m	CE	EAC	UK CA
Icon: Downward arrow in a circle						



SELTO 80 B



SELTO 80 B	36555	max 15	LED	E27	black
SELTO 50 B	36556	max 15	LED	E27	black
SELTO EL 23 B	36557	max 15	LED	E27	black

Kanlux SELTO garden luminaires are simple, modern forms placed inside metal and glass casings. Thanks to their shapes, they are perfect for classic gardens as well as those inspired by the Asian style (resembling a pagoda), additional functionality in the form of a flange at the base enables easy mounting of Kanlux SELTO luminaires to the ground. The luminaires are adapted to light sources with an E27 base.

- Enclosure material: stainless steel
- Lampshade material: glass

SELTO

Garden light fitting with replaceable light source



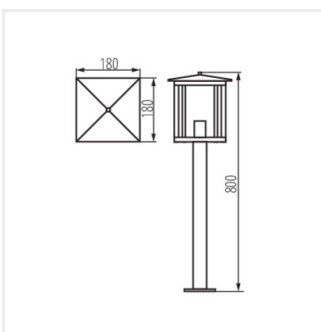
SELTO 80 B



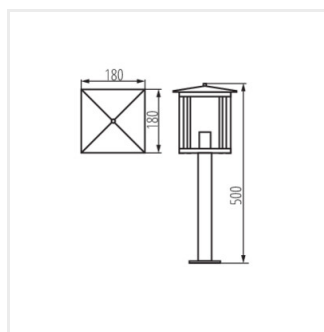
SELTO 50 B



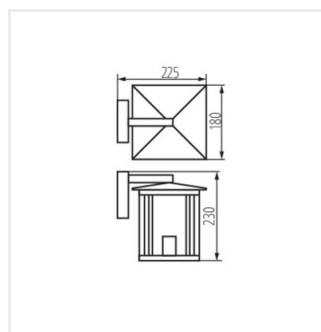
SELTO EL 23 B



SELTO 80 B



SELTO 50 B



SELTO EL 23 B