

FL SOLNAR SLR

Solar LED light fitting



| | | | | | | |
|---------------|-------------|------------|------------------|--------------|---------|----------|
| [V] 3,7 DC | 15000 | 20000 | ≤ 6x Mastdam | Ra 80 | SMD | |
| | | -15÷35 | | max 10 | 120 | 10-1 |
| 15-1000 | max 100 | | | | | |



FL SOLNAR SLR 8W NW-B



FL SOLNAR SLR 8W NW-B **36605** max 8 max 800 4000 54 PIR

The Kanlux FL SOLNAR luminaire is a solar powered floodlight. The power of the floodlight is 8W, and its luminous efficiency is 100lm/W (when the luminaire is fully charged). IP54 allows you to install the floodlight in conditions of increased dust and moisture, as well as outdoors in places that are not roofed. The adjustable adapter makes it possible to mount the luminaire and the solar panel separately. The floodlight is equipped with a motion sensor.

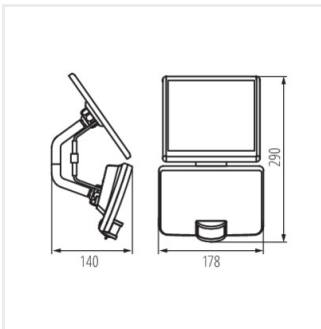
- The luminaire comes complete with a 2m extension cable that allows the installation of a photovoltaic panel at a certain distance from the luminaire.
- Enclosure material: PC
- Lampshade material: PC

FL SOLNAR SLR

Solar LED light fitting



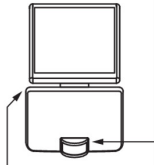




FL SOLNAR SLR 8W NW-B



FL SOLNAR SLR 8W NW-B

FL SOLNAR SLR

Solar LED light fitting

| | | |
|--|---|---|
|  |  15lx - 1000lx |  |
|  1 MODE | — | max 800 lm ⌚ 10s - 60s |
|  2 MODE Night light | ~40 lm | max 800 lm ⌚ 10s - 60s |