

# iQ-LED

## Kanlux

### IQ-LED A60

#### LED light source



[V] 220-240 AC	[Hz] 50	SMD	360° Φ <sub>use</sub>	ellipse ≤ 6x MacAdam	Ra 90	≥50000
25000 <sup>[h]</sup>	Hg		CE	EAC	UK CA	



IQ-LED A60 3,4W



	PoN [W]	[W]	[lm] Φ <sub>use</sub>	Tc [K]	°		Eii A G
IQ-LED A60 3.4W-WW <b>36670</b>	3.4	40	470	2700	180	E27	D
IQ-LED A60 3.4W-NW <b>36671</b>	3.4	40	470	4000	180	E27	D
IQ-LED A60 3.4W-CW <b>36672</b>	3.4	40	470	6500	180	E27	D
IQ-LED A60 5.9W-WW <b>36673</b>	5.9	60	806	2700	180	E27	D
IQ-LED A60 5.9W-NW <b>36674</b>	5.9	60	806	4000	180	E27	D
IQ-LED A60 5.9W-CW <b>36675</b>	5.9	60	806	6500	180	E27	D
IQ-LED A60 7.8W-WW <b>36676</b>	7.8	75	1055	2700	180	E27	D
IQ-LED A60 7.8W-NW <b>36677</b>	7.8	75	1055	4000	180	E27	D
IQ-LED A60 7.8W-CW <b>36678</b>	7.8	75	1055	6500	180	E27	D
IQ-LED A60 11W-WW <b>36679</b>	11	100	1521	2700	180	E27	D
IQ-LED A60 11W-NW <b>36680</b>	11	100	1521	4000	180	E27	D
IQ-LED A60 11W-CW <b>36681</b>	11	100	1521	6500	180	E27	D

Kanlux IQ-I FD A60 provides an eye-friendly temperature of colour and reliability and all this in the classic A60 design. The Date of issue: 02.02.2024, 17:36

We reserve the right to make technical changes. The data contained in this material are not legally binding.

EN

# iQ-LED

## Kanlux

### IQ-LED A60

#### LED light source

maintaining eye-free provides an eye-friendly temperature of color and readability, and all this in the classic A60 design. The new iQ-LED bulbs by Kanlux also offer exceptional luminous efficacy, up to 138 Lumens per Watt, and as a result lower energy consumption. IQ-LEDs from Kanlux offer full comfort and safety.

- Material: plastic
- Lampshade material: plastic



IQ-LED A60 3,4W



IQ-LED A60 5,9W



IQ-LED A60 7,8W



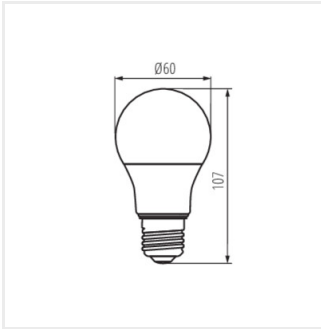
IQ-LED A60 11W

**iQ** LED

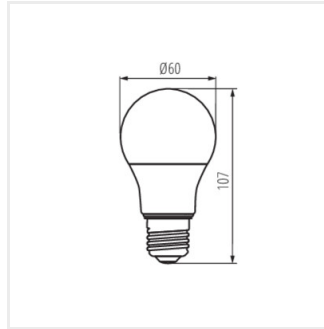
**Kanlux**

## **IQ-LED A60**

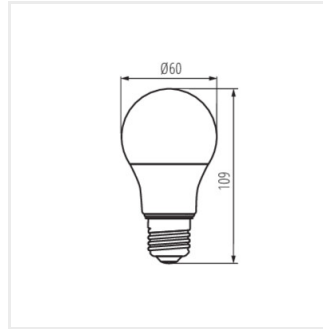
LED light source



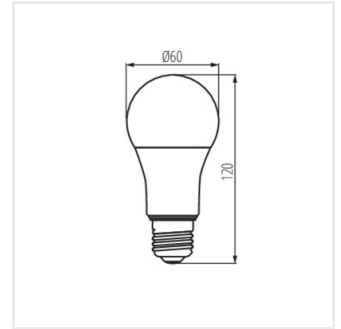
IQ-LED A60 3,4W



IQ-LED A60 5,9W



IQ-LED A60 7,8W



IQ-LED A60 11W