

iQ-LED

Kanlux

IQ-LED C35

LED light source



[V] 220-240 AC	[Hz] 50	SMD	360° Φ _{use}	ellipse ≤ 6x MacAdam	Ra 90	≥50000
25000 [h]	Hg		CE	EAC	UK CA	



IQ-LED C35E14 3,4W-WW



Model	Power [W]	Beam Angle [°]	Beam Diameter [mm]	Temp [K]	Beam Diameter [mm]	Temp [K]	Beam Diameter [mm]	Temp [K]
IQ-LED C35E14 3.4W-WW	36682	3.4	40	470	2700	240	E14	D
IQ-LED C35E14 3.4W-NW	36683	3.4	40	470	4000	240	E14	D
IQ-LED C35E14 3.4W-CW	36684	3.4	40	470	6500	240	E14	D
IQ-LED C35E14 5.9W-WW	36685	5.9	60	806	2700	240	E14	D
IQ-LED C35E14 5.9W-NW	36686	5.9	60	806	4000	240	E14	D
IQ-LED C35E14 5.9W-CW	36687	5.9	60	806	6500	240	E14	D

Kanlux IQ-LED A35 E14 provides an eye-friendly temperature of colour and reliability, and all this in the classic "candle" design. The new iQ-LED bulbs by Kanlux also offer exceptional luminous efficacy, up to 138 Lumens per Watt, and as a result lower energy consumption. IQ-LEDs from Kanlux offer full comfort and safety.

- Material: plastic
- Lampshade material: plastic

Date of issue: 02.02.2024, 16:17

We reserve the right to make technical changes. The data contained in this material are not legally binding.

EN

iQ LED

Kanlux

IQ-LED C35

LED light source



IQ-LED C35E14 3,4W-WW



IQ-LED C35E14 3,4W-NW



IQ-LED C35E14 3,4W-CW



IQ-LED C35E14 5,9W-WW



IQ-LED C35E14 5,9W-NW



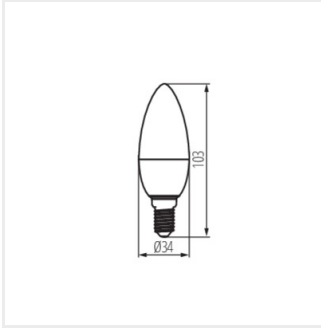
IQ-LED C35E14 5,9W-CW

iQ LED

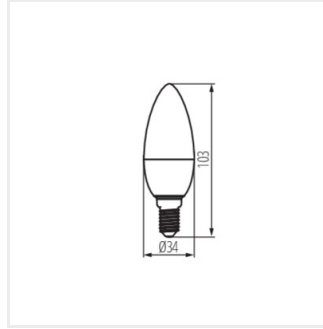
Kanlux

IQ-LED C35

LED light source



IQ-LED C35E14 3,4W



IQ-LED C35E14 5,9W