

HIERRO

Linear LED luminaire



 220-240 AC	 50	 ≥30000	 50000	 Ra 80	
		 IP 20		 5÷25	 0,5m



HR-SL-WW-W-RM

HR-SL-WW-W-RM	37108	9	3000	louvre / white	X60/Y60	white	1150 290
HR-SH-WW-W-RM	37109	14	3000	louvre / white	X60/Y60	white	1650 290
HR-SL-WW-B-RM	37115	9	3000	louvre / black	X60/Y60	black	1050 290
HR-SH-WW-B-RM	37116	14	3000	louvre / black	X60/Y60	black	1450 290
HR-SL-WN-W-RM	37122	9	3500	louvre / white	X60/Y60	white	1200 290
HR-SH-WN-W-RM	37123	14	3500	louvre / white	X60/Y60	white	1700 290
HR-SL-WN-B-RM	37129	9	3500	louvre / black	X60/Y60	black	1050 290
HR-SH-WN-B-RM	37130	14	3500	louvre / black	X60/Y60	black	1500 290
HR-SL-NW-W-RM	37136	9	4000	louvre / white	X60/Y60	white	1250 290
HR-SH-NW-W-RM	37137	14	4000	louvre / white	X60/Y60	white	1700 290
HR-SL-NW-B-RM	37143	9	4000	louvre / black	X60/Y60	black	1100 290
HR-SH-NW-B-RM	37144	14	4000	louvre / black	X60/Y60	black	1550 290
HR-SH-WN-WB-RM	37626	14	3500	louvre / black	X60/Y60	white	1500 290

HIERRO is a family of fixtures produced at the Kanlux Factory. The minimalist and elegant form fits into the latest trends in architectural design. The stylish solution is widely used in modern offices, shops, and loft spaces as basic, complementary or

Date of issue: 20.02.2024, 21:26

We reserve the right to make technical changes. The data contained in this material are not legally binding.

HIERRO

Linear LED luminaire

accent lighting. The great advantages of HIERRO luminaires are: variety of available control and installation methods, low UGR coefficient, high luminous efficiency, ability to adapt to specific lighting projects and 5-year warranty. This allows you to create energy-saving and modern lighting systems that provide attractive lighting effects.

- Enclosure material: steel, plastic
- Lampshade material: plastic



HR-SL-WW-W-RM



HR-SH-WW-W-RM



HR-SL-WW-B-RM



HR-SH-WW-B-RM

HIERRO

Linear LED luminaire



HR-SL-WN-W-RM



HR-SH-WN-W-RM



HR-SL-WN-B-RM



HR-SH-WN-B-RM



HR-SL-NW-W-RM



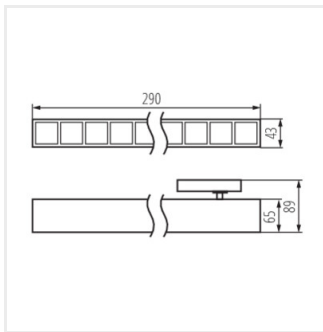
HR-SH-NW-W-RM



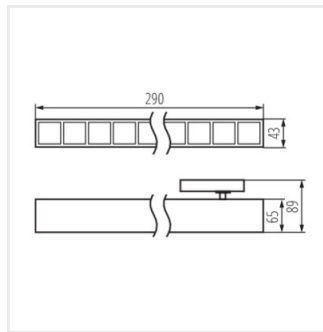
HR-SL-NW-B-RM



HR-SH-NW-B-RM



HR-SH-RM



HR-SH-RM

