

ARGUS II

Pierścień oprawy punktowej



ARGUS II CT-2114-AN



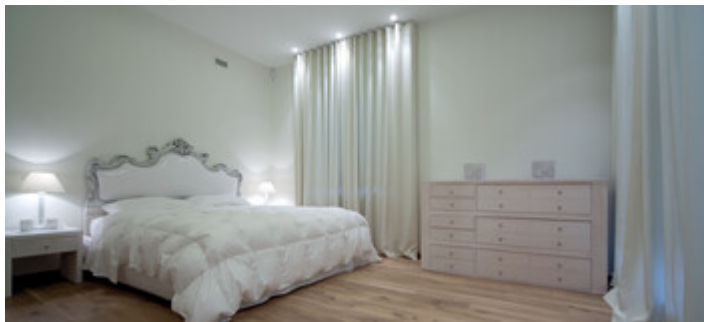
ARGUS II CT-2114-AN	37150	max 10	matte copper	none	
ARGUS II CT-2114-BR/M	37151	max 10	matt brass	none	
ARGUS II CT-2114-C	37152	max 10	chrome	none	
ARGUS II CT-2114-C/M	37153	max 10	chrome matte	none	
ARGUS II CT-2114-G	37154	max 10	gold	none	
ARGUS II CT-2114-GM	37155	max 10	graphite	none	
ARGUS II CT-2114-W	37156	max 10	white	none	
ARGUS II CT-2115-AN	37157	max 10	matte copper	in one axis	15
ARGUS II CT-2115-BR/M	37158	max 10	matt brass	in one axis	15
ARGUS II CT-2115-C	37159	max 10	chrome	in one axis	15
ARGUS II CT-2115-C/M	37160	max 10	chrome matte	in one axis	15
ARGUS II CT-2115-G	37161	max 10	gold	in one axis	15
ARGUS II CT-2115-GM	37162	max 10	graphite	in one axis	15
ARGUS II CT-2115-W	37163	max 10	white	in one axis	15

Kanlux ARGUS II are decorative rings that reproduce the popular Kanlux ARGUS eyes. The variety of shapes and colors means that every classic lover will find something for themselves. We can use a lampholder that will fit a GU10 or Gx5.3 base, which allows the use of light sources tailored to the prepared installation.

- Materiał obudowy: stal

ARGUS II

Pierścień oprawy punktowej



ARGUS II CT-2114-AN



ARGUS II CT-2114-BR/M



ARGUS II CT-2114-C



ARGUS II CT-2114-C/M



ARGUS II CT-2114-G



ARGUS II CT-2114-GM



ARGUS II CT-2114-W



ARGUS II CT-2115-AN



ARGUS II CT-2115-BR/M



ARGUS II CT-2115-C



ARGUS II CT-2115-C/M



ARGUS II CT-2115-G

ARGUS II

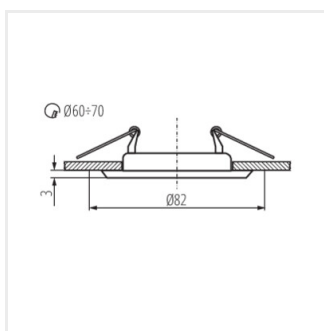
Pierścień oprawy punktowej



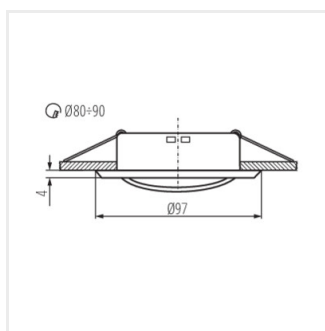
ARGUS II CT-2115-GM



ARGUS II CT-2115-W



ARGUS II CT-2114



ARGUS II CT-2115