

## 37347 XLED HP D46E40 38W-NW

LED light source



[V] 220-240 AC	[Hz] 50	FILAMENT	360° Φ <sub>use</sub>	ellipse ≤ 6x Nachdam	Ra 70	≥7500
[h] 25000	Hg		[°C] -20÷45	house icon	IP 65	CE
EAC	UK CA					



XLED HP D46E40 38W-NW **37347** 38 402 7500 4000 320 E40 B

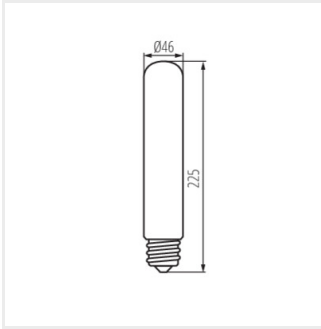
Kanlux XLED HP D90E27 is the LED equivalent of specialised halogen bulbs with an E27 cap. This professional light source has a luminous efficacy of over 150lm/w making it more efficient than its halogen antecedent and helping to save on electricity expenses. In addition, it has a service life of 25,000 hours.

- For industrial applications (e.g. in manufacturing floors, warehouses, etc.)
- 3 years Warranty under the terms of the warranty statement, available on our website
- The product fulfills IP65 requirements except lamp cap, outdoor applications require the lamp to be used in luminaires with suitable IP rating. Lamp cap needs to be installed in correct IP rated socket.
- Lampshade material: glass

## 37347 XLED HP D46E40 38W-NW

---

LED light source



XLED HP D46E40 38W-NW