

## SENTO-O

PIR motion sensor



<b>[V]</b> 220-240 AC	<b>[Hz]</b> 50	<b>IP</b> 44/20			 [m] max 20	 [lx] 3-2000
 -20÷40		 [mm] 0.75÷1.5	<b>CE</b>	<b>EAC</b>	<b>UK CA</b>	



SENTO-O-WT-W



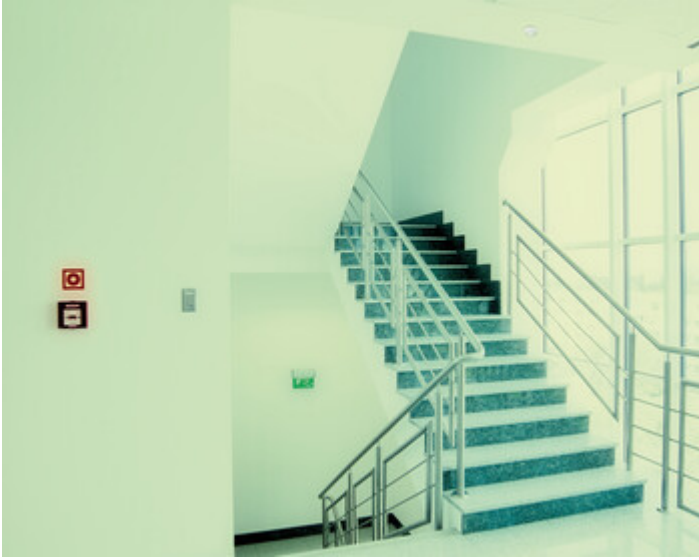
SENTO-O-WT-W	<b>37366</b>	2000	ceiling mounted, Recessed mount in the ceiling	H360	10-30	3xPIR
SENTO-O-WT-B	<b>37367</b>	2000	ceiling mounted, Recessed mount in the ceiling	H360	10-30	3xPIR

Kanlux SENTO-O is an electronic sensor for movement detection. Its exceptionality lies in the fact that as many as three infrared detectors are installed in one sensor. This guarantees an unprecedented sensitivity and allows you to capture even the slightest movement. Kanlux SENTO, due to its unique features, is referred to as presence sensors. The additional advantage is universal installation - flush-mounted and surface-mounted.

- Material: plastic

## SENTO-O

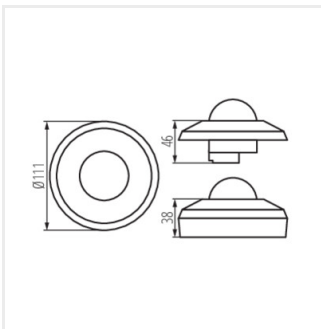
PIR motion sensor



SENTO-O-WT-W



SENTO-O-WT-B



SENTO-O-WT