

XLED W

LED light source



| | | | | | | |
|-------------------|------------|----------|--------------------------|-------------------------|----------|--------|
| [V] 220-240 AC | [Hz] 50 | FILAMENT | 360° Φ _{use} | ellipse ≤ 6x MacAdam | Ra 80 | ≥20000 |
| 15000 [h] | Hg | | CE | EAC | UK CA | |



XLED W A60 8,5W-WW



| | PON [W] | [W] | [lm] Φ _{use} | T _c [K] | [°] | filament | Ei A G |
|-----------------------|-------------------|-----|-----------------------|--------------------|------|----------|--------------|
| XLED W A60 8.5W-WW | 37380 | 8.5 | 75 | 1055 | 2700 | 320 | E27 E |
| XLED W ST64 7W-WW | 37381 | 7 | 60 | 806 | 2700 | 320 | E27 E |
| XLED W C35E14 4.5W-WW | 37382 | 4.5 | 40 | 470 | 2700 | 320 | E14 F |
| XLED W G45E14 4.5W-WW | 37383 | 4.5 | 40 | 470 | 2700 | 320 | E14 F |

The Kanlux XLED W glass bulbs have a classic shape and style while incorporating a discreet white filament, which is a novelty. What you gain is the energy efficiency of LEDs but the yellow filaments have been replaced with white ones. The minimalist XLED W looks remarkably decorative in both on and off mode. The unique white filament produces a warm colour temperature of 2700K. Kanlux XLED W comes in popular shapes: traditional, ball, candle and ST64.

- Lampshade material: glass

XLED W

LED light source



XLED W A60 8,5W-WW



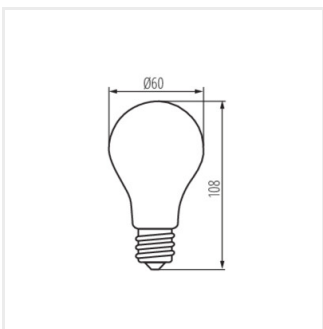
XLED W ST64 7W-WW



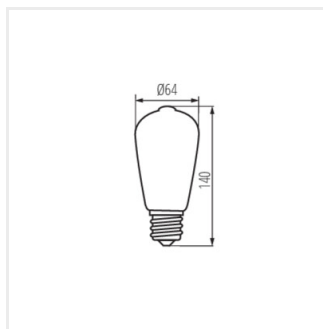
XLED W C35E14 4,5W-WW



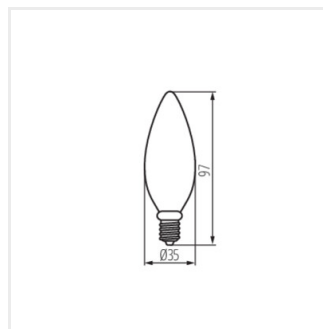
XLED W G45E14 4,5W-WW



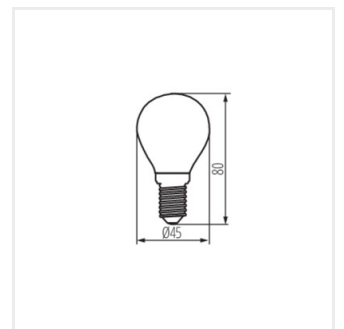
XLED W A60 8,5W-WW



XLED W ST64 7W-WW



XLED W C35E14 4,5W-WW



XLED W G45E14 4,5W-WW