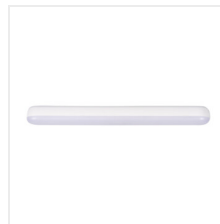


37390 CALIZA LED CCT W

LED wall mounted fitting



3,7 DC ACCU	max 160	≥ 15000	25000	3000/4000/6500	ellipse $\leq 6x$ MacAdam	Ra 80
SMD			IP 20		5÷25	
180	0,1m		max 80			



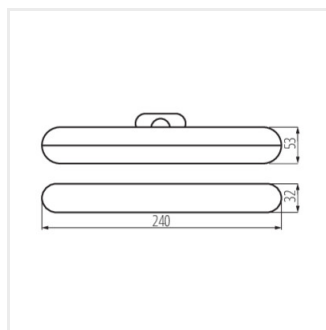
CALIZA LED CCT W **37390** max 2 white

Kanlux CALIZIA LED is a modern wall lamp with a luminous flux of 160 lm, which is charged via USB C (the set includes a 220 mm cable). You can attach the base of the wall lamp to the wall or cabinet using tape or 2 screws (included in the set), and you can easily detach the lighting part (magnetic holder) for charging. A useful function of the Kanlux CALIZIA LED wall lamp is the change of light intensity and color. Kanlux CALIZIA LED will be useful in places where there is no installation, as a furniture or portable lamp. The lamp operating time is a maximum of 5 hours.

- Enclosure material: plastic
- Lampshade material: plastic

37390 CALIZA LED CCT W

LED wall mounted fitting



CALIZA LED CCT W