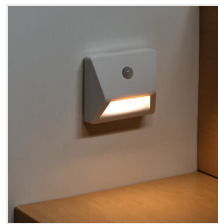


## IRS 3XAAA

Staircase LED light fitting



<b>25000</b> [h]	<b>80</b> Ra			<b>IP 54</b>		
<b>0,1m</b>	<b>0÷25</b> [°C]	<b>lm W</b> <b>33</b>	<b>max 5</b> [m]	<b>20--</b> [s] - [min]	<b>PIR</b>	<b>CE</b>
<b>EAC</b>	<b>UK CA</b>					



IRS3xAAA LED PIR W-NW

			[lm]	Tc [K]
--	--	--	------	--------

IRS3xAAA LED PIR W-NW **37392** 3 x 1,5 DC 0.3 white 10 4000

Kanlux IRS is a rechargeable stair lamp powered by three AAA batteries. The lamp can operate in one of three modes - ON - permanently on/OFF - permanently off/AUTO - turns on at low light intensity or movement (the lamp has a twilight and motion sensor). You can mount the Kanlux IRS lamp using a tape or two mounting screws (included). A big advantage of the lamp is the ability to install it in places where there is no electrical installation.

- Enclosure material: plastic
- Lampshade material: plastic



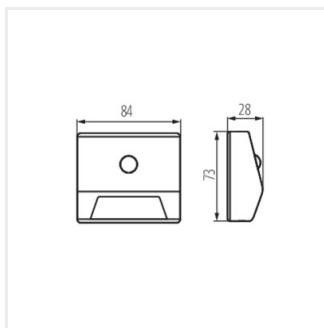
## IRS 3XAAA

---

Staircase LED light fitting



IRS3xAAA LED PIR W-NW



IRS3xAAA LED PIR W-NW