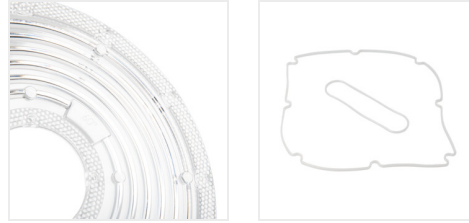


HB PRO STRONG Akcesoria

Accessory for high-bay light fittings



HBPHS LENS 200W 60D

HBPHS LENS 200W 60D	38128
HBPHS LENS 200W 120D	38129
HBPHS GRID 150W	38135
HBPHS GRID 200W	38136
HBPHS BRACKET	38137
HBPHS LENS 150W 60D	38138
HBPHS LENS 150W 120D	38139

"Kanlux HB PRO STRONG are high-bay luminaires, offering luminous efficiency of up to 170 lm/W. Thanks to the 1-10V power supply with dimming function, enabling smooth regulation of light intensity, as well as the possibility of manual adjustment of the luminaire power at the following levels: 100%, 75 % and 50% you will gain even greater control over the lighting. Kanlux HB PRO STRONG in the 200W version generates a luminous flux of 34,000 lm, which will ensure visibility even in large spaces.

The safety and versatility of these fixtures are crucial, which is why Kanlux HB PRO STRONG is equipped with top security features. Protection against mechanical damage at the IK10 level (using a protective grid) and resistance to the ingress of water and dust at the IP65 level make this luminaire a safe choice for various applications. We guarantee not only a 5-year warranty for Kanlux HB PRO STRONG fixtures, but also 50,000 hours of use. Additionally, a wide range of available accessories, such as protective grids, lenses and wall and ceiling mounts, allow you to adapt the luminaire to the specific needs of your space.

- |HBPHS LENS 200W 60D: soczewka do oprawy 200W, kąt świecenia 60°|HBPHS LENS 200W 120D: soczewka do oprawy 200W, kąt świecenia 120°

HB PRO STRONG Akcesoria

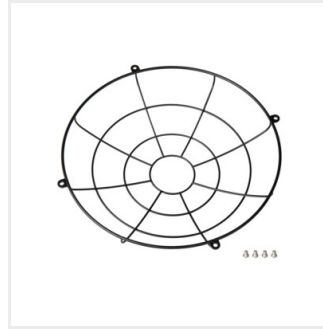
Accessory for high-bay light fittings



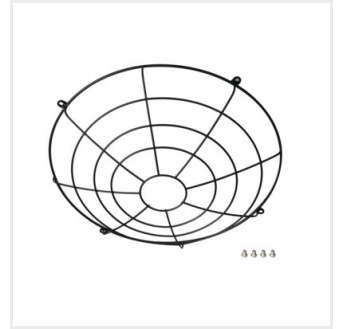
HBPHS LENS 200W 60D



HBPHS LENS 200W 120D



HBPHS GRID 150W



HBPHS GRID 200W



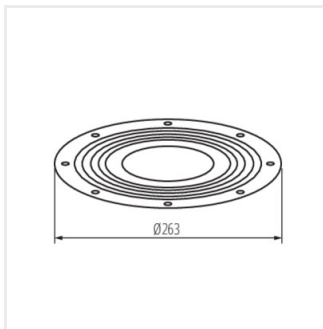
HBPHS BRACKET



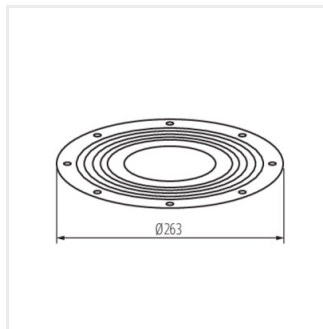
HBPHS LENS 150W 60D



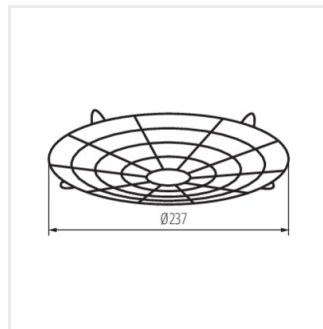
HBPHS LENS 150W 120D



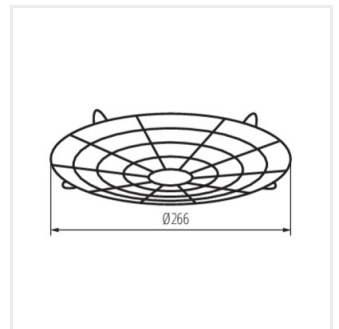
HBPHS LENS 200W 60D



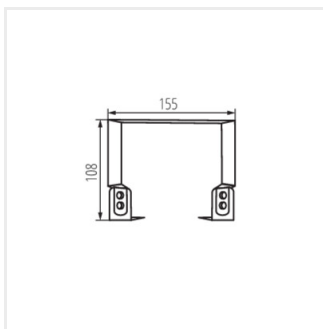
HBPHS LENS 200W 120D



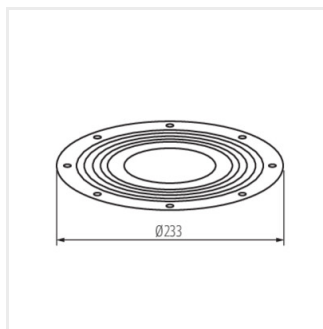
HBPHS GRID 150W



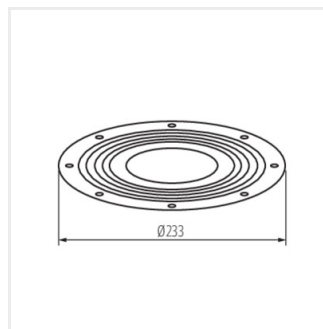
HBPHS GRID 200W



HBPHS BRACKET



HBPHS LENS 150W 60D



HBPHS LENS 150W 120D