

KRD10-2

Residual-current circuit breaker, 2P



KRD10-2/25/30-B

[Hz] 50	°C -25÷40	IP 20	2P	2	TH 35	Ui [V] 400
max 25 [mm ²]	CE	EAC	VDE	UK CAK	Recycling symbol	

	[V]	In [A]	I _{Δn} [mA]	Residual-current protection type		
KRD10-2/25/30-B	38530	230 AC	25	30	B	3
KRD10-2/40/30-B	38531	230 AC	40	30	B	3
KRD10-2/63/30-B	38532	230 AC	63	30	B	3
KRD10-2/25/100-B	38533	230 AC	25	100	B	3
KRD10-2/40/100-B	38534	230 AC	40	100	B	3
KRD10-2/63/100-B	38535	230 AC	63	100	B	3
KRD10-2/25/300-B	38536	230 AC	25	300	B	3
KRD10-2/40/300-B	38537	230 AC	40	300	B	3
KRD10-2/63/300-B	38538	230 AC	63	300	B	3
KRD10-2/16/10-AC	38720	230 AC	16	10	AC	2
KRD10-2/16/10-A	38721	230 AC	16	10	A	2
KRD10-2/25/30-A	38725	230 AC	25	30	A	2
KRD10-2/25/300-AC	38726	230 AC	25	300	AC	2
KRD10-2/40/30-AC	38729	230 AC	40	30	AC	2
KRD10-2/40/30-A	38730	230 AC	40	30	A	2

Date of issue: 24.03.2026, 08:05

We reserve the right to make technical changes. The data contained in this material are not legally binding.

Photometry: the results obtained from testing were from a specific sample.

Kanlux S.A. ul. Objazdowa 1-3, 41-922 Radzionków, Poland kanlux@kanlux.com

KRD10-2

Residual-current circuit breaker, 2P



KRD10-2/25/30-B



KRD10-2/40/30-B



KRD10-2/63/30-B



KRD10-2/25/100-B



KRD10-2/40/100-B



KRD10-2/63/100-B



KRD10-2/25/300-B



KRD10-2/40/300-B



KRD10-2/63/300-B



KRD10-2/16/10-AC



KRD10-2/16/10-A



KRD10-2/25/30-A

KRD10-2

Residual-current circuit breaker, 2P



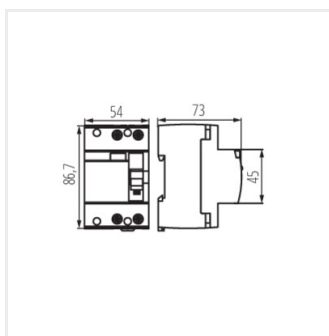
KRD10-2/25/300-AC



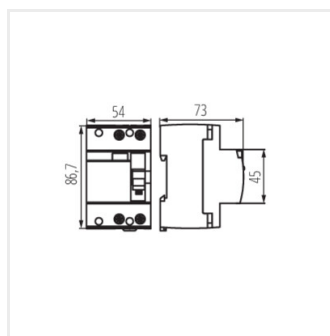
KRD10-2/40/30-AC



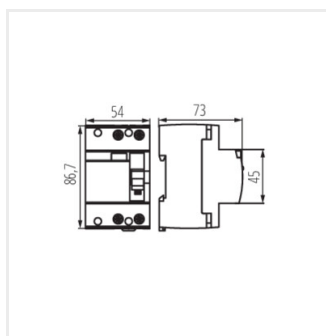
KRD10-2/40/30-A



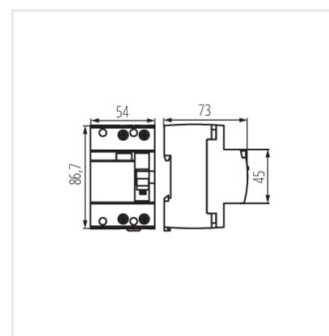
KRD10-2/25/30-B



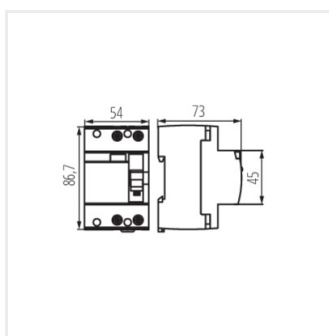
KRD10-2/40/30-B



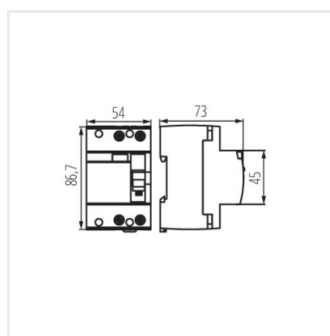
KRD10-2/63/30-B



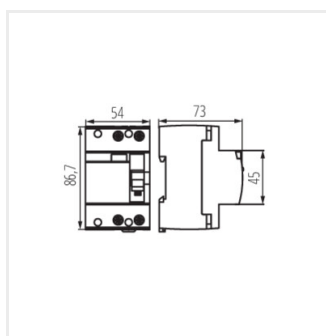
KRD10-2/25/100-B



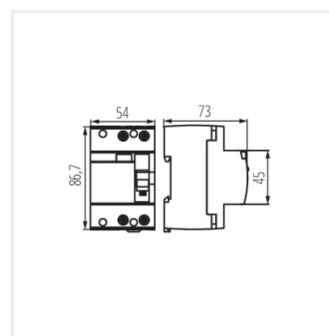
KRD10-2/40/100-B



KRD10-2/63/100-B



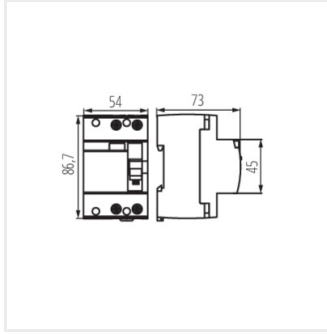
KRD10-2/25/300-B



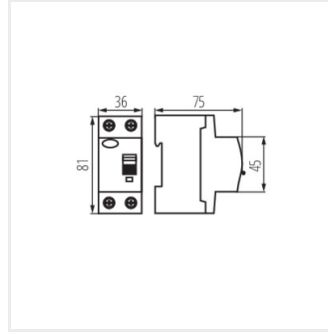
KRD10-2/40/300-B

KRD10-2

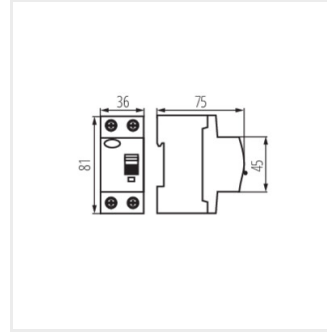
Residual-current circuit breaker, 2P



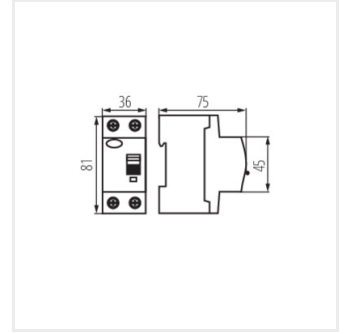
KRD10-2/63/300-B



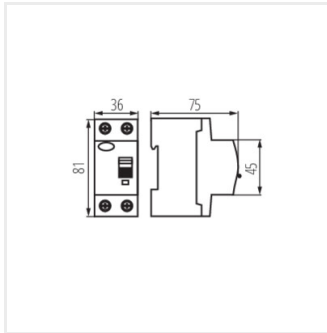
KRD10-2/16/10-AC



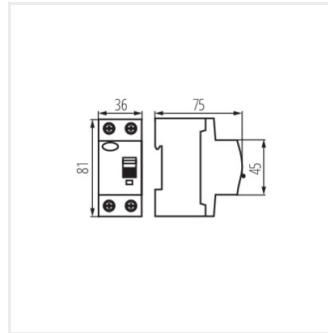
KRD10-2/16/10-A



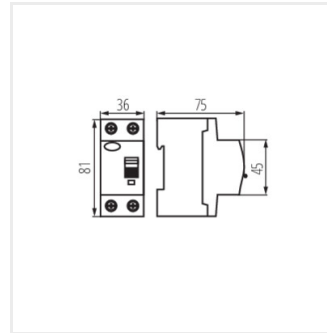
KRD10-2/25/30-A



KRD10-2/25/300-AC



KRD10-2/40/30-AC



KRD10-2/40/30-A