

## KRD10-4

Residual-current circuit breaker, 4P



[Hz] 50	°C -25÷40	IP 20	 4P	 4	 TH 35	 400
 max 25	CE	EAC	VDE	CUK CPK		

KRD10-4/25/30-B

	[V]	In [A]	I <sub>Δn</sub> [mA]	Residual-current protection type		
KRD10-4/25/30-B	38539	400 AC	25	30	B	4
KRD10-4/40/30-B	38540	400 AC	40	30	B	4
KRD10-4/63/30-B	38541	400 AC	63	30	B	4
KRD10-4/25/100-B	38542	400 AC	25	100	B	4
KRD10-4/40/100-B	38543	400 AC	40	100	B	4
KRD10-4/63/100-B	38544	400 AC	63	100	B	4
KRD10-4/25/300-B	38545	400 AC	25	300	B	4
KRD10-4/40/300-B	38546	400 AC	40	300	B	4
KRD10-4/63/300-B	38547	400 AC	63	300	B	4
KRD10-4/100/30-AC	38733	400 AC	100	30	AC	4
KRD10-4/25/30-AC	38737	400 AC	25	30	AC	4
KRD10-4/25/30-A	38738	400 AC	25	30	A	4
KRD10-4/40/30-AC	38741	400 AC	40	30	AC	4
KRD10-4/40/30-A	38742	400 AC	40	30	A	4
KRD10-4/63/30-AC	38745	400 AC	63	30	AC	4
KRD10-4/63/30-A	38746	400 AC	63	30	A	4
KRD10-4/63/300-AC	38747	400 AC	63	300	AC	4

Date of issue: 23.02.2026, 08:21

We reserve the right to make technical changes. The data contained in this material are not legally binding.

Photometry: the results obtained from testing were from a specific sample.

Kanlux S.A. ul. Objazdowa 1-3, 41-922 Radzionków, Poland kanlux@kanlux.com

## KRD10-4

Residual-current circuit breaker, 4P



KRD10-4/25/30-B



KRD10-4/40/30-B



KRD10-4/63/30-B



KRD10-4/25/100-B



KRD10-4/40/100-B



KRD10-4/63/100-B



KRD10-4/25/300-B



KRD10-4/40/300-B



KRD10-4/63/300-B



KRD10-4/100/30-AC



KRD10-4/25/30-AC



KRD10-4/25/30-A

## KRD10-4

Residual-current circuit breaker, 4P



KRD10-4/40/30-AC



KRD10-4/40/30-A



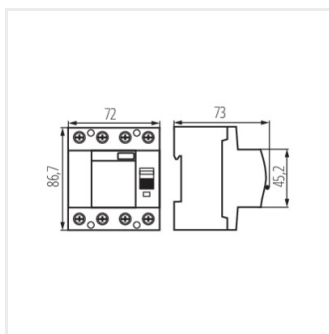
KRD10-4/63/30-AC



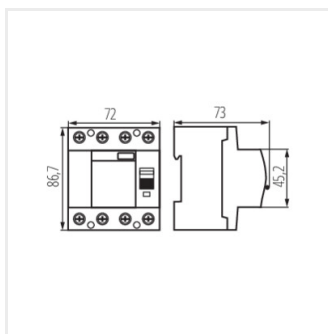
KRD10-4/63/30-A



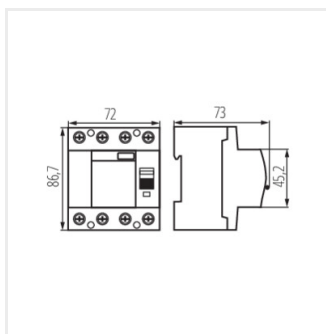
KRD10-4/63/300-AC



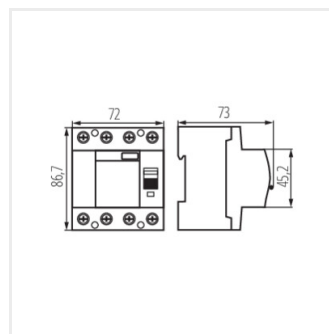
KRD10-4/25/30-B



KRD10-4/40/30-B



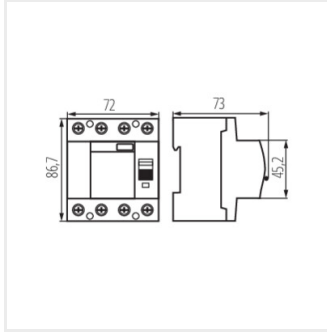
KRD10-4/63/30-B



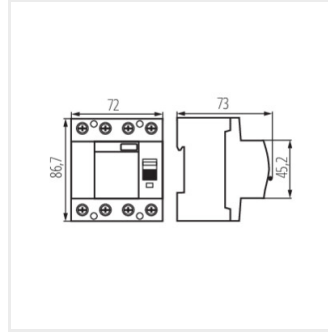
KRD10-4/25/100-B

## KRD10-4

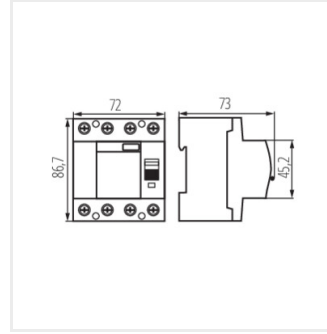
Residual-current circuit breaker, 4P



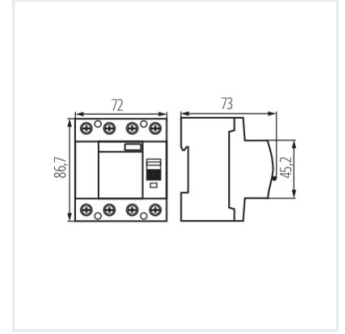
KRD10-4/40/100-B



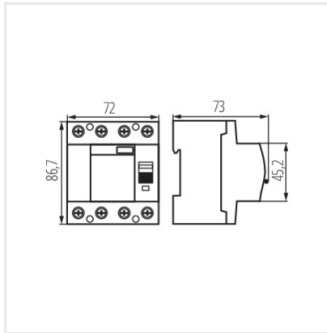
KRD10-4/63/100-B



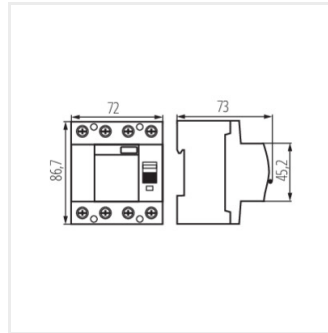
KRD10-4/25/300-B



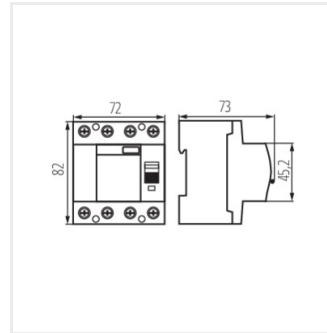
KRD10-4/40/300-B



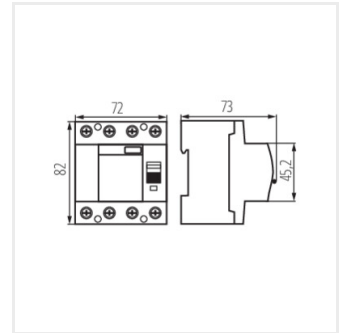
KRD10-4/63/300-B



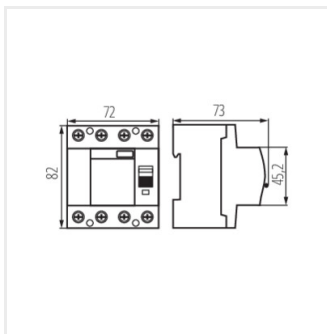
KRD10-4/100/30-AC



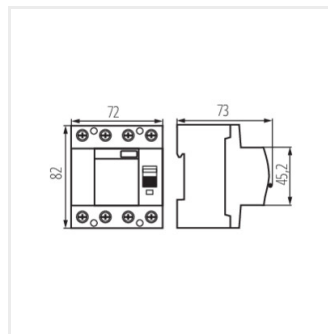
KRD10-4/25/30-AC



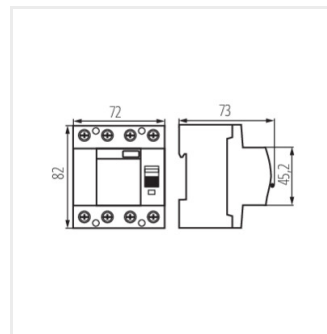
KRD10-4/25/30-A



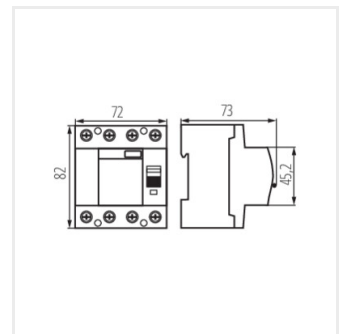
KRD10-4/40/30-AC



KRD10-4/40/30-A



KRD10-4/63/30-AC

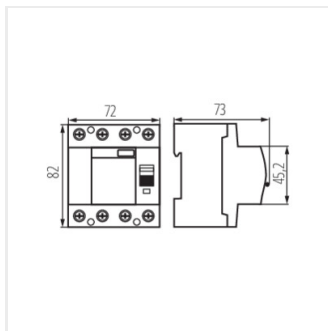


KRD10-4/63/30-A

## KRD10-4

---

Residual-current circuit breaker, 4P



KRD10-4/63/300-AC