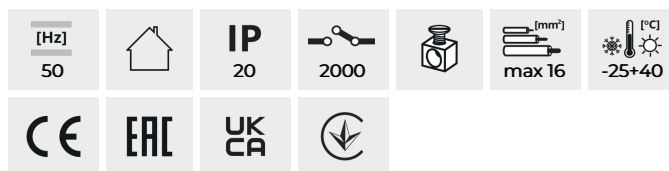


KCS

Installation switch



KCS-40A/1P



KCS-40A/1P	23255	230/400 AC	1
KCS-40A/2P	23256	230/400 AC	2
KCS-40A/3P	23257	230/400 AC	3
KCS-40A/4P	23258	230/400 AC	4
KCS-63A/1P	39400	230/400 AC	1
KCS-63A/2P	39401	230/400 AC	2
KCS-63A/3P	39402	230/400 AC	3
KCS-63A/4P	39403	230/400 AC	4

3-way group switch I-0-II (alternating switch)

Date of issue: 27.03.2026, 09:10

We reserve the right to make technical changes. The data contained in this material are not legally binding.

Photometry: the results obtained from testing were from a specific sample.

Kanlux S.A. ul. Objazdowa 1-3, 41-922 Radzionków, Poland kanlux@kanlux.com

KCS

Installation switch



KCS-40A/1P



KCS-40A/2P



KCS-40A/3P



KCS-40A/4P



KCS-63A/1P



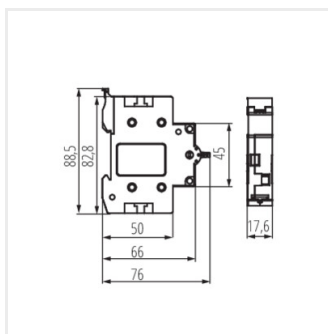
KCS-63A/2P



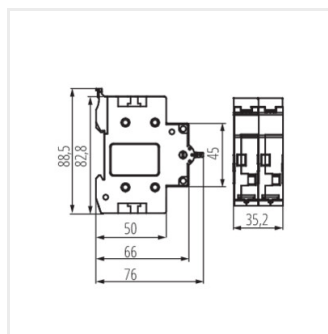
KCS-63A/3P



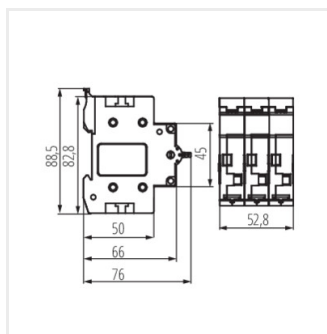
KCS-63A/4P



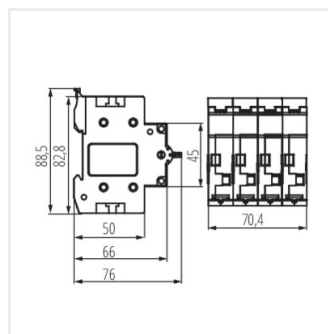
KCS-40A/1P



KCS-40A/2P



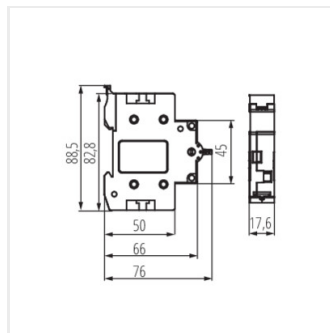
KCS-40A/3P



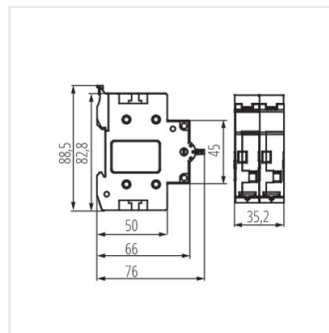
KCS-40A/4P

KCS

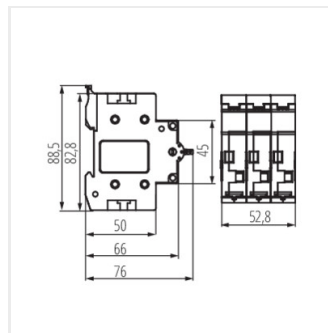
Installation switch



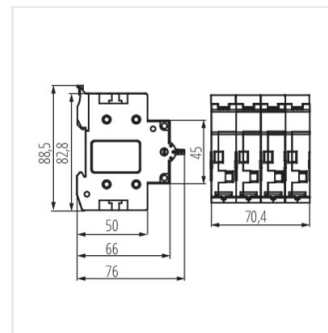
KCS-63A/1P



KCS-63A/2P



KCS-63A/3P



KCS-63A/4P