

Kanlux



Kanlux LC0B HIGH LUMEN 24V

- 3 years Warranty under the terms of the warranty statement, available on our website

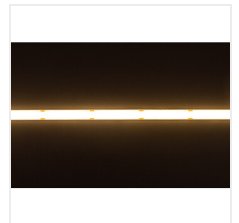
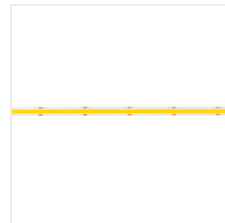
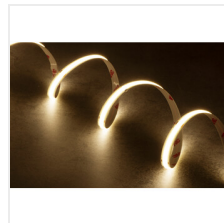


up to
146 $\frac{\text{lm}}{\text{W}}$



24V

IV 24 DC	$\text{lm} = \text{max}$ 14,4	III	ellipse ≤ 6x Nachdam	Ra 90	Hg	
COB	≥30000	30000		0,1m	PC 5=25	360° use
CE	EAC	UK CA				



LCOBH14,4W/M24IP00-WW



IP



LCOBH14.4W/M24IP00-WW	39437	0,5m = 7,2	0,5m = 975	3000	00	5000	E
LCOBH14.4W/M24IP00-NW	39438	0,5m = 7,2	0,5m = 1055	4000	00	5000	D
LCOBH14.4W/M24IP00-CW	39439	0,5m = 7,2	0,5m = 1055	6500	00	5000	D
LCOBH14.4W/M24IP65-WW	39440	0,5m = 7,2	0,5m = 945	3000	65	5000	E
LCOBH14.4W/M24IP65-NW	39441	0,5m = 7,2	0,5m = 1010	4000	65	5000	E
LCOBH14.4W/M24IP65-CW	39442	0,5m = 7,2	0,5m = 1010	6500	65	5000	E



LCOBH14,4W/M24IP00-WW



LCOBH14,4W/M24IP00-NW



LCOBH14,4W/M24IP00-CW



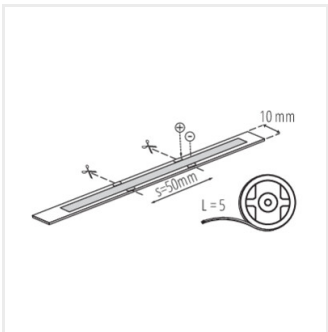
LCOBH14,4W/M24IP65-WW



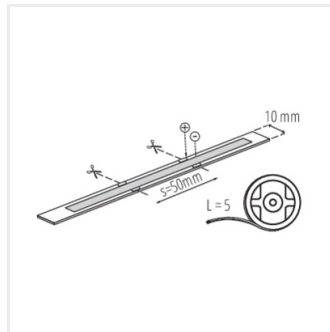
LCOBH14,4W/M24IP65-NW



LCOBH14,4W/M24IP65-CW



LCOBH14,4W/M24IP00



LCOBH14,4W/M24IP65

Accessories

39530 CON P 10 LED band connector, CON P 10 (39530)



39531 CON P 10 CP LED band connector, CON P 10 CP (39531)



39532 CON P 10 CPC LED band connector, CON P 10 CPC (39532)



39533 CON P 10 L LED band connector, CON P 10 L (39533)



Date of issue: 01.10.2025, 17:30

We reserve the right to make technical changes. The data contained in this material are not legally binding.

Photometry: the results obtained from testing were from a specific sample.

Kanlux S.A. ul. Objazdowa 1-3, 41-922 Radzionków, Poland kanlux@kanlux.com

EN