

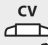













Kanlux



Kanlux TRETO

TRETO is a series of constant-voltage power supplies designed for special applications. The high IP67 protection rating allows installation in locations exposed to dust or moisture. The integrated wiring features an appropriate cross-section to minimize potential voltage drops. The product family covers a wide power range (from 15 W to 200 W) and offers two supply voltage variants. The "C" version is intended for installation inside electrical junction boxes. TRETO is an ideal choice for powering LED strips such as Kanlux LEDs.

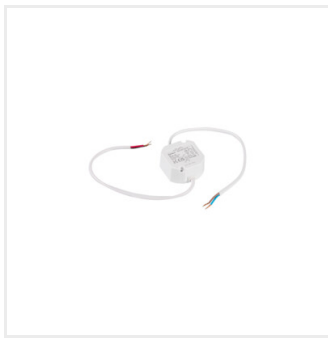
 220-240 AC	 50		 220-240		 67	
						



TRETO C IP67 12V 15W

**SEC [V]****η [%]**

TRETO C IP67 12V 15W	39510	max 15	12 DC	PRI: 0,75 / SEC: 0,75	76	40
TRETO IP67 12V 40W	39512	16-40	12 DC	PRI: 1 / SEC: 1	84	45
TRETO IP67 12V 60W	39514	30-60	12 DC	PRI: 1 / SEC: 1	86	45
TRETO IP67 12V 100W	39516	50-100	12 DC	PRI: 1 / SEC: 1	88	45
TRETO IP67 12V 150W	39518	75-150	12 DC	PRI: 1 / SEC: 1,5	89	45
TRETO IP67 12V 200W	39520	120-200	12 DC	PRI: 1 / SEC: 1,5	90	40
TRETO C IP67 24V 15W	39511	max 15	24 DC	PRI: 0,75 / SEC: 0,75	76	40
TRETO IP67 24V 40W	39513	16-40	24 DC	PRI: 1 / SEC: 1	84	45
TRETO IP67 24V 60W	39515	30-60	24 DC	PRI: 1 / SEC: 1	86	45
TRETO IP67 24V 100W	39517	50-100	24 DC	PRI: 1 / SEC: 1	88	45
TRETO IP67 24V 150W	39519	75-150	24 DC	PRI: 1 / SEC: 1,5	89	45
TRETO IP67 24V 200W	39521	120-200	24 DC	PRI: 1 / SEC: 1,5	90	40
TRETO IP67 48V 40W	39509	16-40	48 DC	PRI: 1 / SEC: 1	86	45
TRETO IP67 48V 60W	39522	30-60	48 DC	PRI: 1 / SEC: 1	86	45
TRETO IP67 48V 100W	39523	50-100	48 DC	PRI: 1 / SEC: 1	92	45
TRETO IP67 48V 150W	39524	75-150	48 DC	PRI: 1 / SEC: 1,5	89	45
TRETO IP67 48V 200W	39525	120-200	48 DC	PRI: 1 / SEC: 1,5	90	45



TRETO C IP67 12V 15W



TRETO IP67 12V 40W



TRETO IP67 12V 60W



TRETO IP67 12V 100W



TRETO IP67 12V 150W



TRETO IP67 12V 200W



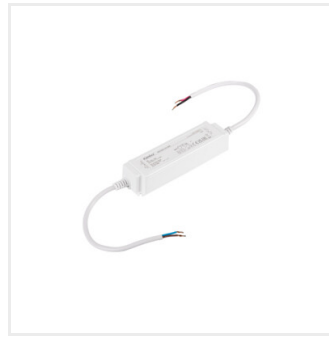
TRETO C IP67 24V 15W



TRETO IP67 24V 40W



TRETO IP67 24V 60W



TRETO IP67 24V 100W



TRETO IP67 24V 150W



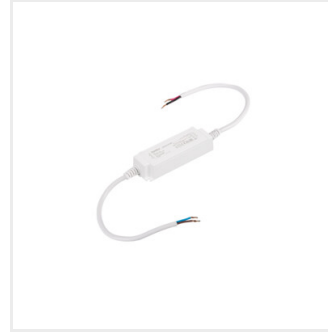
TRETO IP67 24V 200W



TRETO IP67 48V 40W



TRETO IP67 48V 60W



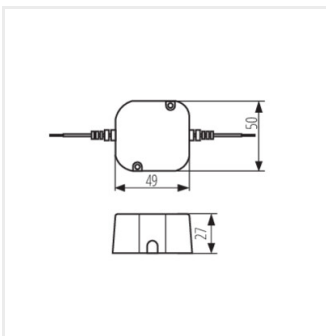
TRETO IP67 48V 100W



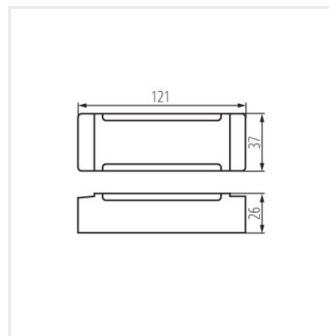
TRETO IP67 48V 150W



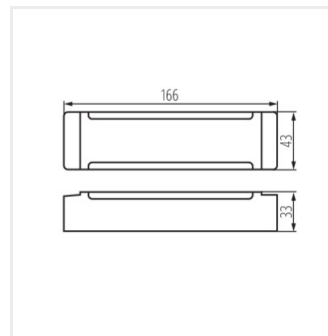
TRETO IP67 48V 200W



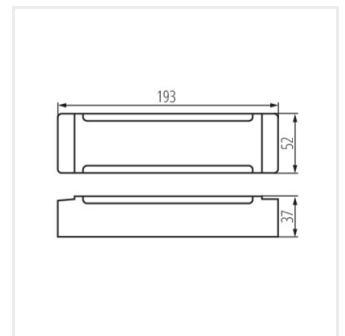
TRETO C IP67 15W



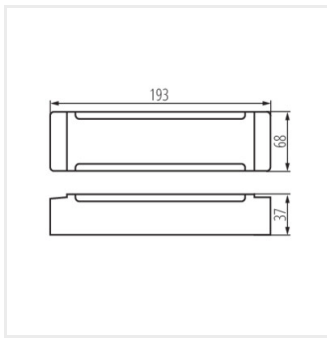
TRETO IP67 40W



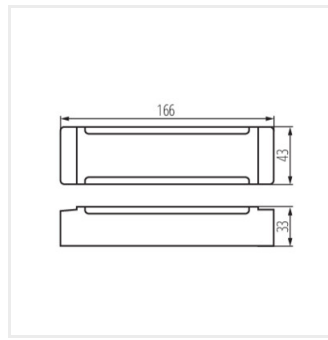
TRETO IP67 60W



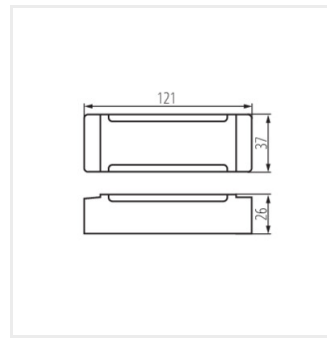
TRETO IP67 150W



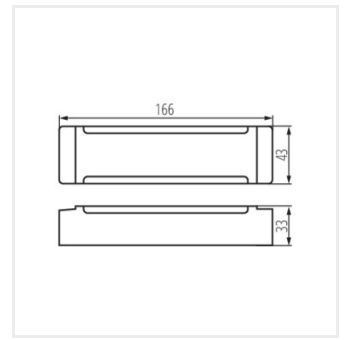
TRETO IP67 200W



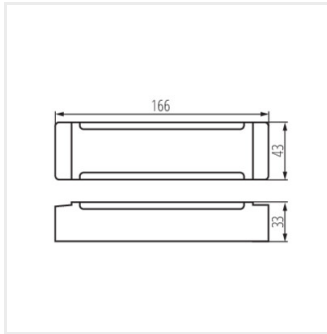
TRETO IP67 100W



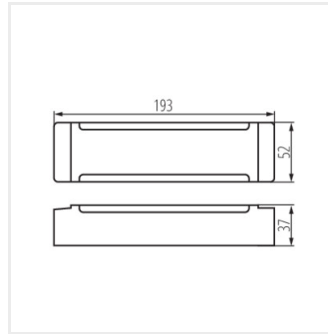
TRETO IP67 48V 40W



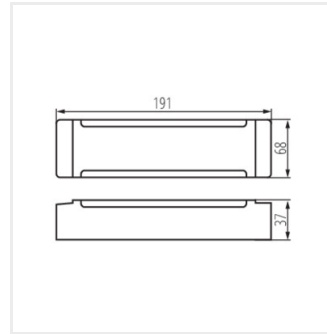
TRETO IP67 48V 60W



TRETO IP67 48V 100W



TRETO IP67 48V 150W



TRETO IP67 48V 200W

Date of issue: 08.04.2026, 07:41

We reserve the right to make technical changes. The data contained in this material are not legally binding.

Photometry: the results obtained from testing were from a specific sample.

Kanlux S.A. ul. Objazdowa 1-3, 41-922 Radzionków, Poland kanlux@kanlux.com

