

Kanlux



Kanlux YALTE CCT

Kanlux YALTE CCT are modern, linear facade luminaires with a minimalist design that are equally at home indoors. Crafted from an aluminum body and a polycarbonate shade, the 330° adjustment range allows for precise beam angle adjustment, while the light color can be adjusted individually. Single or double mounting options expand design possibilities. An IP54 rating ensures protection against moisture and dust, while a 5-year warranty confirms the fixtures' durability and reliability.



 220-240 AC	 50	 ≥40000	 30000	 80	 SMD
		IP 54	 0,5m		 -15÷35
	 0.75÷1.5	CE	ERC	UK CA	 330



YALTE S 06 9W CCT-B



YALTE S 06 9W CCT-B	45870	9	310 320 330	3000 4000 6500	black	wall mounted
YALTE S 08 11W CCT-B	45871	11	380 430 460	3000 4000 6500	black	wall mounted
YALTE D 09 8.5W CCT-B	45872	8.5	340 360 390	3000 4000 6500	black	wall mounted
YALTE D 12 12W CCT-B	45873	12	460 480 500	3000 4000 6500	black	wall mounted



YALTE S 06 9W CCT-B



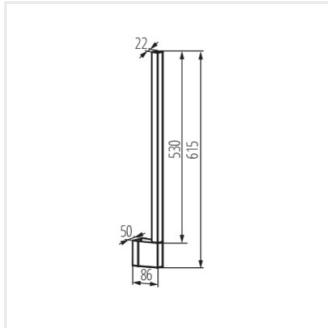
YALTE S 08 11W CCT-B



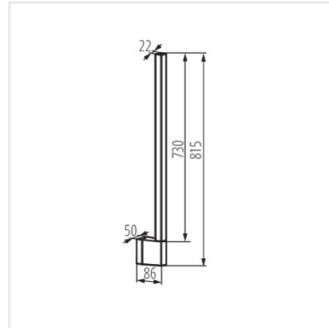
YALTE D 09 8,5W CCT-B



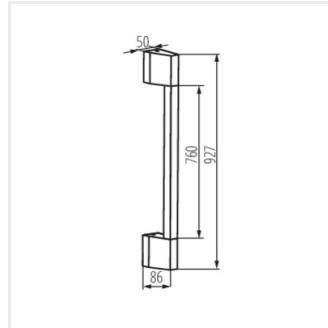
YALTE D 12 12W CCT-B



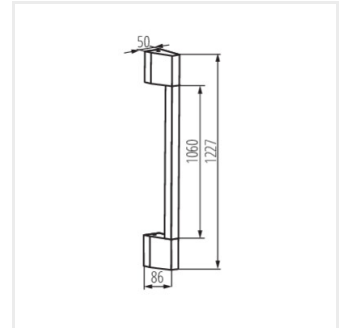
YALTE S 06 9W CCT-B



YALTE S 08 11W CCT-B



YALTE D 09 8,5W CCT-B



YALTE D 12 12W CCT-B

Date of issue: 31.03.2026, 09:30

We reserve the right to make technical changes. The data contained in this material are not legally binding.

Photometry: the results obtained from testing were from a specific sample.

Kanlux S.A. ul. Objazdowa 1-3, 41-922 Radzionków, Poland kanlux@kanlux.com

EN